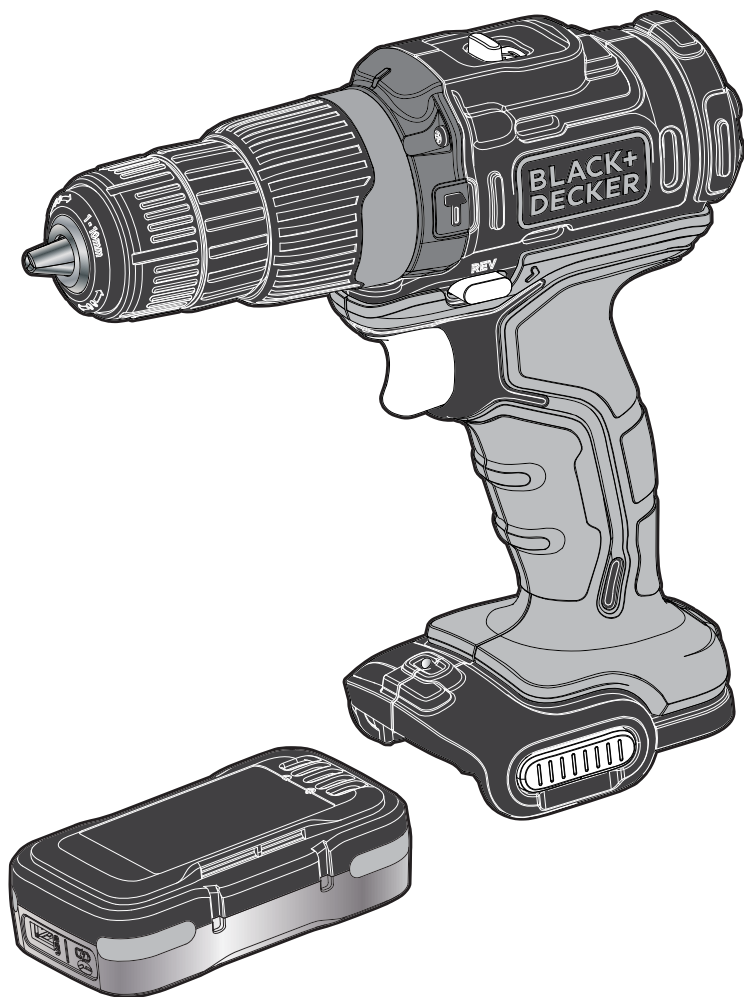
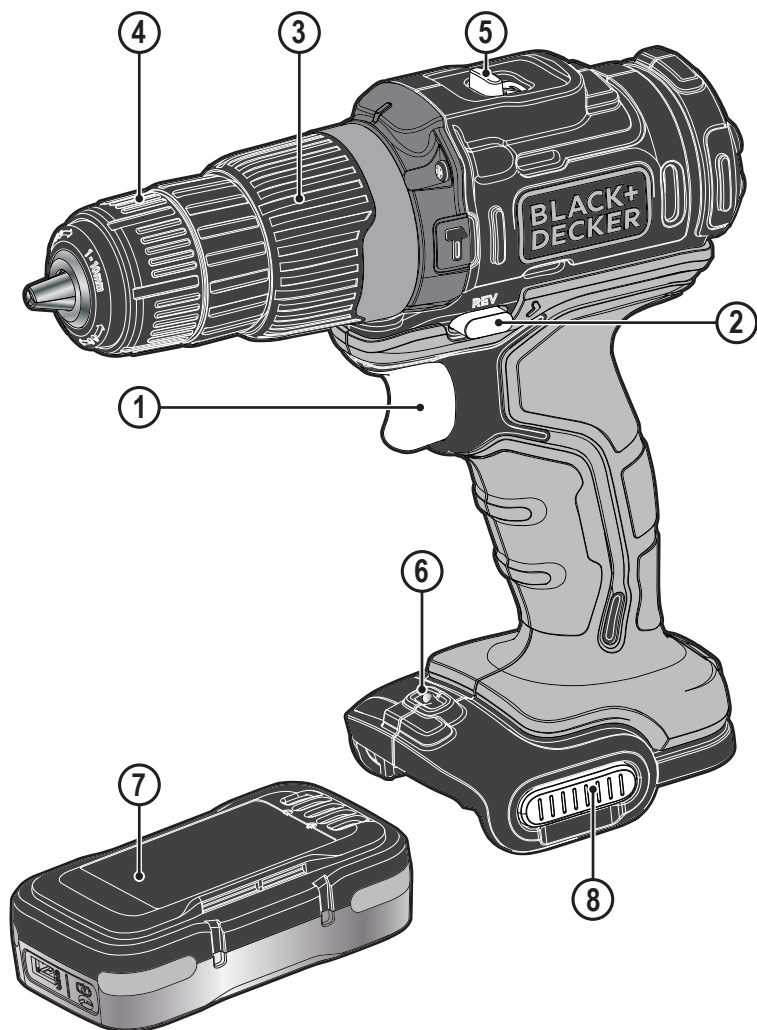
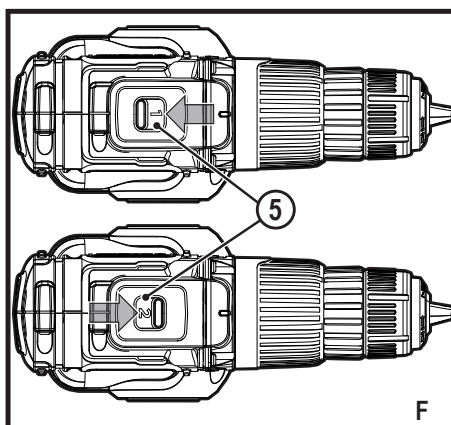
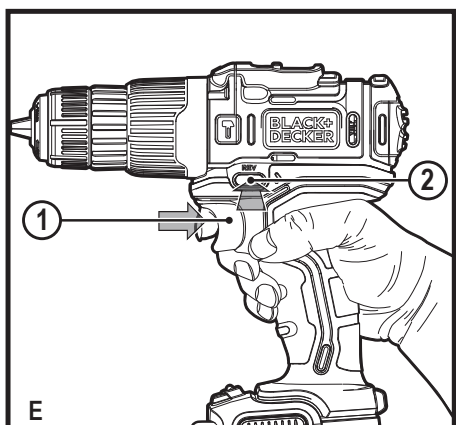
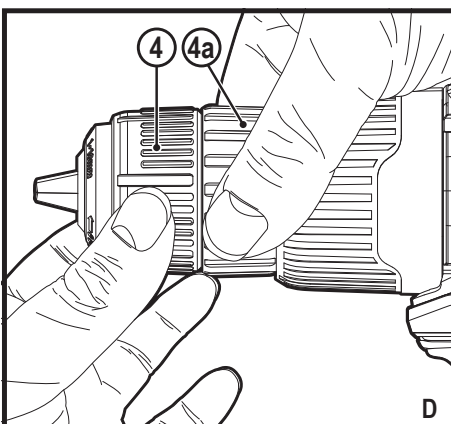
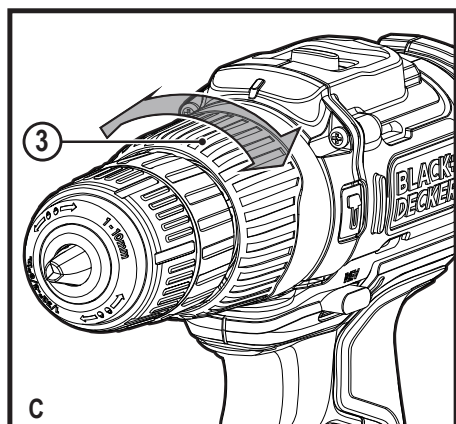
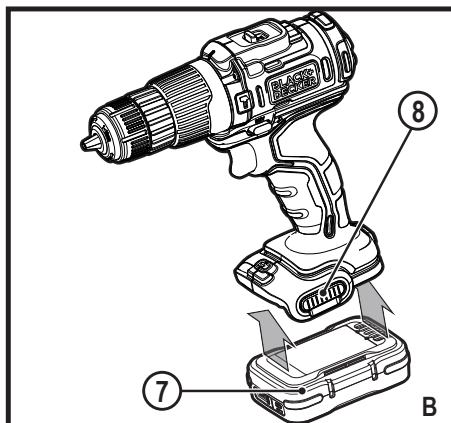
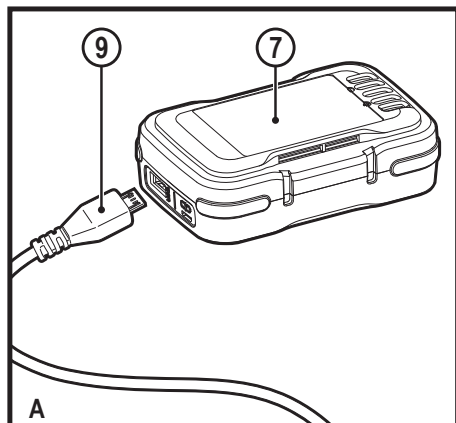


BLACK+
DECKER







Intended Use

Your BLACK+DECKER™ BDCHD12S1 Impact Drill has been designed for screw driving applications and for drilling in wood, metal and plastics. This tool is intended for consumer use only.

Do not return this product to the store, first contact your local BLACK+DECKER office or nearest authorized service center.

Safety instructions

General power tool safety warnings.



Warning! Read all safety warnings, instructions, illustrations and specifications provided with this power tool. Failure to follow all

instructions listed below may result in electric shock, fire and/or serious injury..

Save all warnings and instructions for future reference.

The term "power tool" in all of the warnings listed below refers to your mains operated (corded) power tool or battery operated (cordless) power tool.

1. Work area safety

- a. **Keep work area clean and well lit.** Cluttered or dark areas invite accidents.
- b. **Do not operate power tools in explosive atmospheres, such as in the presence of flammable liquids, gases or dust.** Power tools create sparks which may ignite the dust or fumes.
- c. **Keep children and bystanders away while operating a power tool.** Distractions can cause you to lose control.

2. Electrical safety

- a. **Power tool plugs must match the outlet. Never modify the plug in any way. Do not use any adapter plugs with earthed (grounded) power tools.** Unmodified plugs and matching outlets will reduce risk of electric shock.
- b. **Avoid body contact with earthed or grounded surfaces such as pipes,**

radiators, ranges and refrigerators. There is an increased risk of electric shock if your body is earthed or grounded.

- c. **Do not expose power tools to rain or wet conditions.** Water entering a power tool will increase the risk of electric shock.
- d. **Do not abuse the cord. Never use the cord for carrying, pulling or unplugging the power tool. Keep cord away from heat, oil, sharp edges or moving parts.** Damaged or entangled cords increase the risk of electric shock.
- e. **When operating a power tool outdoors, use an extension cord suitable for outdoor use.** Use of a cord suitable for outdoor use reduces the risk of electric shock.
- f. **If operating a power tool in a damp location is unavoidable, use a residual current device (RCD) protected supply.** Use of an RCD reduces the risk of electric shock.

3. Personal safety

- a. **Stay alert, watch what you are doing and use common sense when operating a power tool. Do not use a power tool while you are tired or under the influence of drugs, alcohol or medication.** A moment of inattention while operating power tools may result in serious personal injury.
- b. **Use personal protective equipment. Always wear eye protection.** Protective equipment such as a dust mask, non-skid safety shoes, hard hat, or hearing protection used for appropriate conditions will reduce personal injuries.
- c. **Prevent unintentional starting. Ensure the switch is in the off-position before connecting to power source and/or battery pack, picking up or carrying the tool.** Carrying power tools with your finger on the switch or energising power tools that have the switch on invites accidents.
- d. **Remove any adjusting key or wrench before turning the power tool on.** A wrench or a key left attached to a rotating part of the power tool may result in personal injury.

- e. Do not overreach. Keep proper footing and balance at all times.** This enables better control of the power tool in unexpected situations.
- f. Dress properly. Do not wear loose clothing or jewellery. Keep your hair and clothing away from moving parts.** Loose clothes, jewellery or long hair can be caught in moving parts.
- g. If devices are provided for the connection of dust extraction and collection facilities, ensure these are connected and properly used.** Use of dust collection can reduce dust-related hazards.
- h. Do not let familiarity gained from frequent use of tools allow you to become complacent and ignore tool safety principles.** A careless action can cause severe injury within a fraction of a second.
- 4. Power tool use and care**
- a. Do not force the power tool. Use the correct power tool for your application.** The correct power tool will do the job better and safer at the rate for which it was designed.
- b. Do not use the power tool if the switch does not turn it on and off.** Any power tool that cannot be controlled with the switch is dangerous and must be repaired.
- c. Disconnect the plug from the power source and/or remove the battery pack, if detachable from the power tool before making any adjustments, changing accessories, or storing power tools.** Such preventive safety measures reduce the risk of starting the power tool accidentally.
- d. Store idle power tools out of the reach of children and do not allow persons unfamiliar with the power tool or these instructions to operate the power tool.** Power tools are dangerous in the hands of untrained users.
- e. Maintain power tools and accessories. Check for misalignment or binding of moving parts, breakage of parts and any other condition that may affect the power tools operation. If damaged, have the power tool repaired before use.** Many accidents are caused by poorly maintained power tools.
- f. Keep cutting tools sharp and clean.** Properly maintained cutting tools with sharp cutting edges are less likely to bind and are easier to control.
- g. Use the power tool, accessories and tool bits etc., in accordance with these instructions, taking into account the working conditions and the work to be performed.** Use of the power tool for operations different from those intended could result in a hazardous situation.
- h. Keep handles and grasping surfaces dry, clean and free from oil and grease.** Slippery handles and grasping surfaces do not allow for safe handling and control of the tool in unexpected situations.
- 5. Battery tool use and care**
- a. Recharge only with the charger specified by the manufacturer.** A charger that is suitable for one type of battery pack may create a risk of fire when used with another battery pack.
- b. Use power tools only with specifically designated battery packs.** Use of any other battery packs may create a risk of injury and fire.
- c. When battery pack is not in use, keep it away from other metal objects, like paper clips, coins, keys, nails, screws, or other small metal objects, that can make a connection from one terminal to another.** Shorting the battery terminals together may cause burns or a fire.
- d. Under abusive conditions, liquid may be ejected from the battery; avoid contact. If contact accidentally occurs, flush with water. If liquid contacts eyes, additionally seek medical help.** Liquid ejected from the battery may cause irritation or burns.
- e. Do not use a battery pack or tool that is damaged or modified. Damaged or modified batteries may exhibit unpredictable behaviour resulting in fire, explosion or risk of injury.**
- f. Do not expose a battery pack or tool to fire or excessive temperature.** Exposure to fire or temperature above 130 °C may cause explosion. NOTE The temperature „130 °C“ can be replaced by the temperature „265 °F“.

- g. Follow all charging instructions and do not charge the battery pack or tool outside the temperature range specified in the instructions.** Charging improperly or at temperatures outside the specified range may damage the battery and increase the risk of fire.

6. Service

- a. Have your power tool serviced by a qualified repair person using only identical replacement parts.** This will ensure that the safety of the power tool is maintained.
- b. Never service damaged battery packs.** Service of battery packs should only be performed by the or authorized service providers.

7. Drill safety warnings

1) Safety instructions for all operations

- a. Wear ear protectors when impact drilling.** Exposure to noise can cause hearing loss.
- b. Use the auxiliary handle(s).** Loss of control can cause personal injury.
- c. Brace the tool properly before use.** This tool produces a high output torque and without properly bracing the tool during operation, loss of control may occur resulting in personal injury.
- d. Hold the power tool by insulated gripping surfaces, when performing an operation where the cutting accessory may contact hidden wiring or its own cord.** Cutting accessory contacting a “live” wire may make exposed metal parts of the power tool “live” and could give the operator an electric shock.

2) Safety instructions when using long drill bits

- a. Never operate at higher speed than the maximum speed rating of the drill bit.** At higher speeds, the bit is likely to bend if allowed to rotate freely without contacting the workpiece, resulting in personal injury.
- b. Always start drilling at low speed and with the bit tip in contact with the**

workpiece. At higher speeds, the bit is likely to bend if allowed to rotate freely without contacting the workpiece, resulting in personal injury.

- c. Apply pressure only in direct line with the bit and do not apply excessive pressure.** Bits can bend causing breakage or loss of control, resulting in personal injury.



Additional power tool safety warnings

Warning! Additional safety warnings for drill/drivers.

- Use clamps or another practical way to secure and support the workpiece to a stable platform. Holding the work by hand or against your body leaves it unstable and may lead to loss of control.
- Before drilling into walls, floors or ceilings check for the location of wiring and pipes.
- Avoid touching the tip of a drill bit just after drilling, as it may be hot.
- This tool is not intended for use by persons (including children) with reduced physical, sensory or mental capabilities, or lack of experience and knowledge, unless they have been given supervision or instruction concerning use of the appliance by a person responsible for their safety. Children should be supervised to ensure that they do not play with the appliance.
- The intended use is described in this instruction manual. The use of any accessory or attachment or performance of any operation with this tool other than those recommended in this instruction manual may present a risk of personal injury and/or damage to property.

Safety of others

- This appliance is not intended for use by persons (including children) with reduced physical, sensory or mental capabilities, or lack of experience and knowledge, unless they have been given supervision or instruction concerning use of the appliance by a person responsible for their safety.

- Children should be supervised to ensure that they do not play with the appliance.

Residual risks

Additional residual risks may arise when using the tool which may not be included in the enclosed safety warnings. These risks can arise from misuse, prolonged use etc.

Even with the application of the relevant safety regulations and the implementation of safety devices, certain residual risks cannot be avoided. These include:

- Injuries caused by touching any rotating/moving parts.
- Injuries caused when changing any parts, blades or accessories.
- Injuries caused by prolonged use of a tool. When using any tool for prolonged periods ensure you take regular breaks.
- Impairment of hearing.
- Health hazards caused by breathing dust developed when using your tool (example: working with wood, especially oak, beech and MDF).

Labels on tool

The label on your tool may include the following symbols:



Warning! To reduce the risk of injury, the user must read the instruction manual.



The charger is intended for indoor use only.



Read this entire manual carefully before using the appliance.

Position of date barcode

The Date Code, which also includes the year of manufacture, is printed into the housing. Example:

2017 XX JN
Year of manufacturing

Electrical safety



Your charger is double insulated; therefore no earth wire is required.

Always check that the mains voltage corresponds to the voltage on the rating plate. Never attempt to replace the charger unit with a regular mains plug.

- If the supply cord is damaged, it must be replaced by the manufacturer or an authorised BLACK+DECKER Service Centre in order to avoid a hazard.

Batteries

- Never attempt to open for any reason.
- Do not expose the battery to water.
- Do not store in locations where the temperature may exceed 40 °C.
- Charge only at ambient temperatures between 10 °C and 40 °C.
- Charge only using the charger provided with the tool.
- When disposing of batteries, follow the instructions give in the section "Protecting the environment".



Do not attempt to charge damaged batteries.

Chargers

- Use your BLACK+DECKER charger only to charge the battery in the tool with which it was supplied. Other batteries could burst, causing personal injury and damage.
- Never attempt to charge non-rechargeable batteries.
- Have defective cords replaced immediately.
- Do not expose the charger to water.
- Do not open the charger.
- Do not probe the charger.



The charger is intended for indoor use only.



Read the instruction manual before use.

Features

This tool includes some or all of the following features.

1. Variable speed switch
2. Forward/reverse slider
3. Torque adjustment collar
4. Keyless chuck
5. Dual range gearing
6. LED work light
7. Battery
8. Battery release button

Assembly

Use

Warning! Let the tool work at its own pace. Do not overload.

Charging the battery (fig.A)

The battery needs to be charged before first use and whenever it fails to produce sufficient power on jobs that were easily done before. The battery may become warm while charging; this is normal and does not indicate a problem.

Warning! Do not charge the battery at ambient temperatures below 10 °C or above 40 °C. Recommended charging temperature: approx. 24 °C.

Note: The charger will not charge a battery if the cell temperature is below approximately 10 °C or above 40 °C. The battery should be left in the charger and the charger will begin to charge automatically when the cell temperature warms up or cools down.

- To charge the battery, insert the USB charger (9) into the Battery (7).
- Plug the charger (9) into a suitable power source and switch on.
- Charge discharged batteries within 1 week. Battery life will be greatly diminished if stored in a discharged state.

Warning! fire Hazard. When disconnecting the charger from the tool, be sure to unplug the charger from the outlet first, then disconnect the charger cord from the tool.

Fitting and removing the battery (fig.B)

- To fit the battery, line it up with the receptacle on the tool. Slot the battery into the receptacle and push up until the battery snaps into place.
- To remove the battery, push the release buttons (8) while at the same time pulling the battery out of the receptacle.

Operating Instructions

Trigger switch & reversing button (fig. E)

- The drill is turned ON and OFF by pulling and releasing the trigger switch (1). The farther the trigger is depressed, the higher the speed of the drill.
- A forward/reverse control button (2) determines the direction of the tool.
- To select forward rotation, release the trigger switch and depress the forward/reverse control button to the left.
- To select reverse, depress the forward/reverse control button the opposite direction.

Torque control (fig.C)

This tool is fitted with a torque adjustment collar (3) to select the operating mode and to set the torque for tightening screws. Large screws and hard workpiece materials require a higher torque setting than small screws and soft workpiece materials.

- For drilling in wood, metal and plastics, set the collar to the drilling position symbol
- For screwdriving, set the collar to the desired setting. If you do not yet know the appropriate setting, proceed as follows:
 - Set the collar to the lowest torque setting.
 - Tighten the first screw.

- If the clutch ratchets before the desired result is achieved, increase the collar setting and continue tightening the screw. Repeat until you reach the correct setting. Use this setting for the remaining screws.

Keyless chuck (fig. D)

To insert a drill bit or other accessory:

- Grasp the rear half of the chuck (4a) with one hand and use your other hand to rotate the front half (4) in the counterclockwise direction, as viewed from the chuck end.
- Insert the bit or other accessory fully into the chuck, and tighten securely by holding the rear half of the chuck and rotating the front portion in the clockwise direction as viewed from the chuck end.

Warning! Do not attempt to tighten drill bits (or any other accessory) by gripping the front part of the chuck and turning the tool on. Damage to the chuck and personal injury may occur when changing accessories.

Dual range gearing (Figure F)

The dual range feature of your drill allows you to shift gears for greater versatility. To select low speed, high torque setting (position 1), turn tool off and permit to stop. Slide gear shifter button (5) away from the chuck. To select the high speed, low torque setting (position 2), turn tool off and permit to stop. Slide gear shifter button towards the chuck.

Note: Do not change gears when tool is running. If you are having trouble changing gears, make sure that the dual range gear button is either completely pushed forward or completely pushed back.

Drilling/screwdriving

- Select forward or reverse rotation using the forward/reverse slider (2).
- To switch the tool on, press the switch (1). The tool speed depends on how far you press the switch.
- To switch the tool off, release the switch.

Hints for optimum use

Drilling

- Use sharp drill bits only.
- Support and secure work properly, as instructed in the Safety Instructions.
- Use appropriate and required safety equipment, as instructed in the Safety Instructions.
- Secure and maintain work area, as instructed in the Safety Instructions.
- Run the drill very slowly, using light pressure, until the hole is started enough to keep the drill bit from slipping out of it.
- Apply pressure in a straight line with the bit. Use enough pressure to keep the bit biting but not so much as to stall the motor or deflect the bit.
- Hold the drill firmly with two hands to control its twisting action.
- DO NOT CLICK THE TRIGGER OF A STALLED DRILL OFF AND ON IN AN ATTEMPT TO START IT. DAMAGE TO THE DRILL CAN RESULT.
- Minimize stalling on breakthrough by reducing pressure and slowly drilling through the last part of the hole.
- Keep the motor running while pulling the bit out of a drilled hole. This will help reduce jamming.
- Make sure switch turns drill on and off.

Drilling in wood

Holes in wood can be made with the same twist drill bits used for metal or with spade bits. These bits should be sharp and should be pulled out frequently when drilling to clear chips from the flutes.

Drilling in metal

Use a cutting lubricant when drilling metals. The exceptions are cast iron and brass which should be drilled dry. The cutting lubricants that work best are sulfurized cutting oil or lard oil.

Drilling in masonry

For drilling in masonry, set the collar (3) to the hammer drilling position by aligning the symbol with the marking. Slide the speed selector (5) towards the front of the tool (2nd gear).

Screwdriving

- Always use the correct type and size of screwdriver bit.
- If screws are difficult to tighten, try applying a small amount of washing liquid or soap as a lubricant.
- Always hold the tool and screwdriver bit in a straight line with the screw

Troubleshooting

Problem	Possible cause	Possible solution
Unit will not start.	Battery pack not charged.	Check battery pack charging requirements.
Battery pack will not charge.	Charger not plugged in. Surrounding air temperature too hot or too cold.	Plug charger into a working outlet. Move charger and battery pack to a surrounding air temperature of above 40degrees F (45°C) or below 105 degrees F (+40.5°C)
Unit shuts off abruptly.	Battery pack has reached its maximum thermal limit. Out of charge. (To maximize the life of the battery pack it is designed to shut off abruptly when the charge is depleted.)	Allow battery pack to cool down. Place on charger and allow to charge.

Maintenance

Your BLACK+DECKER tool has been designed to operate over a long period of time with a minimum of maintenance. Continuous satisfactory operation depends upon proper tool care and regular cleaning. Your charger does not require any maintenance apart from regular cleaning.



Warning! Before performing any maintenance on the tool, remove the battery from the tool. Unplug the charger before cleaning it.

- Regularly clean the ventilation slots in your tool and charger using a soft brush or dry cloth.
- Regularly clean the motor housing using a damp cloth. Do not use any abrasive or solvent-based cleaner.
- Regularly open the chuck and tap it to remove any dust from the interior.

Important! To ensure product SAFETY and RELIABILITY, repairs, maintenance and adjustment (other than those listed in this manual) should be performed by authorized service centers or other qualified organizations, always using identical replacement parts. Unit contains no user service able parts inside.

Accessories

Recommended accessories for use with your tool are available at extra cost from your local dealer or authorized service center.



Warning! The use of any accessory not recommended for use with this tool could be hazardous.

Batteries



BLACK+DECKER batteries can be recharged many times. At the end of their useful life, discard batteries with due care for our environment:

- Run the battery down completely, then remove it from the tool.
- NiCd, NiMH and Li-Ion batteries are recyclable. Take them to any authorized repair agent or a local recycling station.

Protecting the environment



Separate collection. This product must not be disposed of with normal household waste.

Should you find one day that your BLACK+DECKER product needs replacement, or if it is of no further use to you, do not dispose of it with household waste. Make this product available for separate collection.



Separate collection of used products and packaging allows materials to be recycled and used again. Reuse of recycled materials helps prevent environmental pollution and reduces the demand for raw materials.

Local regulations may provide for separate collection of electrical products from the household, at municipal waste sites or by the retailer when you purchase a new product.

BLACK+DECKER provides a facility for the collection and recycling of BLACK+DECKER products once they have reached the end of their working life. To take advantage of this service please return your product to any authorised repair agent who will collect them on our behalf. You can check the location of your nearest authorised repair agent by contacting your local BLACK+DECKER office at the address indicated in this manual. Alternatively, a list of authorised BLACK+DECKER repair agents and full details of our after-sales service and contacts are available on the Internet at: www.2helpU.com.

Technical data

BDCHD12S1		
Voltage	V _{DC}	12
No-load speed	min ⁻¹	0 - 350 / 0 -1350 RPM
Max. torque	Nm	17.5 / 40
Chuck capacity	mm	1 - 10
Max Drilling capacity		
Steel/wood/Masonry	mm	10 / 25/ 10
Weight	kg	0.90 (with battery 1.15)

Battery		
Voltage	V _{dc}	12
Capacity	Ah	1.5
Type		Lithium-Ion

Guarantee

BLACK+DECKER is confident of the quality of its products and offers an outstanding guarantee. This guarantee statement is in addition to and in no way prejudices your statutory rights.

If a BLACK+DECKER product becomes defective due to faulty materials, workmanship or lack of conformity, within 24 months from the date of purchase, BLACK+DECKER guarantees to replace defective parts, repair products subjected to fair wear and tear or replace such products to make sure of the minimum inconvenience to the customer unless:

- The product has been used for trade, professional or hire purposes.
- The product has been subjected to misuse or neglect.
- The product has sustained damage through foreign objects, substances or accidents.
- Repairs have been attempted by persons other than authorised repair agents or BLACK+DECKER service staff.

To claim on the guarantee, you will need to submit proof of purchase to the seller or an authorised repair agent. You can check the location of your nearest authorised repair agent by contacting your local BLACK+DECKER office at the address indicated in this manual. Alternatively, a list of authorised BLACK+DECKER repair agents and full details of our aftersales service and contacts are available on the Internet at: www.2helpU.com

Назначение

Ваша ударная дрель/шуруповёрт BDCHD12S1 BLACK+DECKER™ предназначена для сверления отверстий и заворачивания саморезов в древесине, металле и кирпичной кладке. Данный инструмент предназначен только для бытового использования.

не возвращайте данный продукт в магазин.

Сначала обратитесь в ближайший авторизованный сервисный центр BLACK+DECKER

Инструкции По Технике Безопасности

ОБЩИЕ ПРАВИЛА БЕЗОПАСНОСТИ



Внимание! Внимательно прочтите все инструкции по использованию, правила безопасности, спецификации, а также рассмотрите все иллюстрации, входящие

в руководство по эксплуатации данного электроинструмента. Несоблюдение всех перечисленных ниже инструкций может привести к поражению электрическим током, возникновению пожара и/или получению серьёзной травмы.

Сохраните все инструкции по безопасности и руководство по эксплуатации для их дальнейшего использования. Термин «Электроинструмент» во всех приведённых ниже указаниях относится к вашему сетевому (с кабелем) электроинструменту или аккумуляторному (беспроводному) электроинструменту.

1. Безопасность рабочего места

- a. **Содержите рабочее место в чистоте и обеспечьте хорошее освещение. Плохое освещение рабочего места может привести к несчастному случаю.**
- b. **Не используйте электроинструменты, если есть опасность возгорания или взрыва, например, вблизи легко воспламеняющихся жидкостей, газов или пыли.** В процессе работы электроинструменты создают искровые разряды, которые могут воспламенить пыль или горючие пары.
- c. **Во время работы с электроинструментом не подпускайте близко детей или посторонних лиц.** Отвлечение внимания может вызвать у Вас потерю контроля над рабочим процессом.

2. Электробезопасность

- a. **Вилка кабеля электроинструмента должна соответствовать штепсельной розетке. Ни в коем случае не видоизменяйте вилку электрического кабеля. Не используйте соединительные штепсели-переходники, если в**

силовом кабеле электроинструмента есть провод заземления. Использование оригинальной вилки кабеля и соответствующей ей штепсельной розетки уменьшает риск поражения электрическим током.

- b. **Во время работы с электроинструментом избегайте физического контакта с заземлёнными объектами, такими как трубопроводы, радиаторы отопления, электроплиты и холодильники.** Риск поражения электрическим током увеличивается, если Ваше тело заземлено.
 - c. **Не используйте электроинструмент под дождём или во влажной среде.** Попадание воды в электроинструмент увеличивает риск поражения электрическим током.
 - d. **Бережно обращайтесь с электрическим кабелем. Ни в коем случае не используйте кабель для переноски электроинструмента или для вытягивания его вилки из штепсельной розетки. Не подвергайте электрический кабель воздействию высоких температур и смазочных веществ; держите его в стороне от острых кромок и движущихся частей.** Повреждённый или запутанный кабель увеличивает риск поражения электрическим током
 - e. **При работе с электроинструментом на открытом воздухе используйте удлинительный кабель, предназначенный для наружных работ.** Использование кабеля, пригодного для работы на открытом воздухе, снижает риск поражения электрическим током.
 - f. **При необходимости работы с электроинструментом во влажной среде используйте источник питания, оборудованный устройством защитного отключения (УЗО).** Использование УЗО снижает риск поражения электрическим током. **Примечание:** Термин «устройство защитного отключения (УЗО)» может быть заменён на «аварийный прерыватель заземления» или «автоматический выключатель тока утечки».
- #### 3. Личная безопасность
- a. **При работе с электроинструментами будьте внимательны, следите за тем, что Вы делаете, и руководствуйтесь здравым смыслом. Не используйте электроинструмент, если Вы устали, а также находясь под действием алкоголя или понижающих реакцию лекарственных препаратов и других средств.** Малейшая неосторожность при работе с электроинструментами может привести к серьёзной травме.
 - b. **При работе используйте средства индивидуальной защиты. Всегда надевайте защитные очки.** Своевременное использование защитного снаряжения, а именно: пылезащитной маски, ботинок на нескользящей подошве,

- защитного шлема или противошумовых наушников, значительно снизит риск получения травмы.
- c. Не допускайте непреднамеренного запуска. Перед тем, как подключить электроинструмент к сети и/или аккумулятору, поднять или перенести его, убедитесь, что выключатель находится в положении «выключено».** Не переносите электроинструмент, держа палец на пусковом выключателе, и не подключайте к сетевой розетке электроинструмент, выключатель которого установлен в положение «включено»; это может привести к несчастному случаю.
- d. Перед включением электроинструмента снимите с него все регулировочные или гаечные ключи.** Регулировочный или гаечный ключ, оставленный закреплённым на вращающейся части электроинструмента, может стать причиной получения тяжёлой травмы.
- e. Работайте в устойчивой позе. Всегда твёрдо стойте на ногах, сохраняя равновесие.** Это позволит Вам не потерять контроль при работе электроинструментом в непредвиденной ситуации.
- f. Одевайтесь соответствующим образом. Во время работы не надевайте свободную одежду или украшения. Следите за тем, чтобы Ваши волосы или одежда находились в постоянном отдалении от движущихся частей инструмента.** Свободная одежда, украшения или длинные волосы могут попасть в движущиеся части инструмента.
- g. Если электроинструмент снабжён устройством сбора и удаления пыли, убедитесь, что данное устройство подключено и используется надлежащим образом.** Использование устройства пылеудаления значительно снижает риск возникновения несчастного случая, связанного с запыленностью рабочего пространства.
- h. Даже если Вы являетесь опытным пользователем и часто используете подобные инструменты, не позволяйте себе расслабляться и игнорировать правила безопасности при использовании инструментов.** Неосторожность и невнимательность при работе могут привести к тяжёлым травмам за доли секунды.
- 4. Использование электроинструментов и технический уход**
- a. Не перегружайте электроинструмент. Используйте Ваш инструмент по назначению.** Электроинструмент работает надёжно и безопасно только при соблюдении параметров, указанных в его технических характеристиках.
- b. Не используйте электроинструмент, если его выключатель не устанавливается в положение включения или выключения.** Электроинструмент с неисправным выключателем представляет опасность и подлежит ремонту.
- c. Отключайте электроинструмент от сетевой розетки и/или извлекайте аккумулятор (если имеется) перед регулировкой, заменой принадлежностей или при хранении электроинструмента.** Такие меры предосторожности снижают риск случайного включения электроинструмента.
- d. Храните неиспользуемые электроинструменты в недоступном для детей месте и не позволяйте лицам, не знакомым с электроинструментом или данными инструкциями, работать с электроинструментом.** Электроинструменты представляют опасность в руках неопытных пользователей.
- e. Регулярно проверяйте исправность электроинструмента и дополнительных принадлежностей. Проверяйте точность совмещения и легкость перемещения подвижных частей, целостность деталей и любых других элементов электроинструмента, воздействующих на его работу. Не используйте неисправный электроинструмент, пока он не будет полностью отремонтирован.** Большинство несчастных случаев являются следствием недостаточного технического ухода за электроинструментом.
- f. Следите за остротой заточки и чистотой режущих принадлежностей.** Принадлежности с острыми кромками позволяют избежать заклинивания и делают работу менее утомительной.
- g. Используйте электроинструмент, аксессуары и насадки в соответствии с данным Руководством по эксплуатации и с учётом рабочих условий и характера будущей работы.** Использование электроинструмента не по назначению может создать опасную ситуацию.
- h. Следите, чтобы рукоятки и поверхности захвата оставались сухими, чистыми и не содержали следов масла и консистентной смазки.** Скользкие рукоятки и поверхности захвата не обеспечивают безопасное обращение и управление инструментом в неожиданных ситуациях.
- 5. Использование аккумуляторных инструментов и технический уход**
- a. Заряжайте аккумулятор зарядным устройством марки, указанной производителем.** Зарядное устройство, которое подходит к одному типу аккумуляторов, может создать риск возгорания в случае его использования с аккумуляторами другого типа.

- b. Используйте электроинструменты только с разработанными специально для них аккумуляторами.** Использование аккумулятора какой-либо другой марки может привести к возникновению пожара и получению травмы.
- c. Держите не используемый аккумулятор подальше от металлических предметов, таких как скрепки, монеты, ключи, гвозди, шурупы, и других мелких металлических предметов, которые могут замкнуть контакты аккумулятора.** Короткое замыкание контактов аккумулятора может привести к получению ожогов или возникновению пожара.
- d. В критических ситуациях из аккумулятора может вытечь жидкость (электролит); избегайте контакта с кожей. Если жидкость попала на кожу, смойте её водой. Если жидкость попала в глаза, обращайтесь за медицинской помощью.** Жидкость, вытекшая из аккумулятора, может вызвать раздражение или ожоги.
- e. Не используйте повреждённые или модифицированные аккумуляторы и инструменты.** Повреждённые или модифицированные аккумуляторы нестабильны и непредсказуемы и могут стать причиной пожара, взрыва или получения травмы.
- f. Не подвергайте аккумулятор или инструмент воздействию огня или чрезвычайно высоких температур.** Воздействие огня или температуры выше +130°C может привести к взрыву аккумулятора.
- g. Следуйте всем инструкциям по зарядке и не заряжайте аккумулятор или инструмент, если окружающая температура выходит за пределы, обозначенные в инструкции.** Несоблюдение процедуры зарядки или зарядка при окружающей температуре, выходящей за оговоренные пределы, может стать причиной повреждения аккумулятора и увеличивает риск возникновения пожара.
- 6. Техническое обслуживание**
- a. Ремонт Вашего электроинструмента должен производиться только квалифицированными специалистами с использованием идентичных запасных частей.** Это обеспечит безопасность Вашего электроинструмента в дальнейшей эксплуатации.
- b. Никогда не ремонтируйте самостоятельно повреждённые аккумуляторы.** Ремонт аккумуляторов должен производиться только производителем или в авторизованном сервисном центре.
- 7. Правила безопасности при сверлении**
- 1) Меры безопасности при выполнении всех операций**
- a. При сверлении с ударом всегда надевайте противושумовые наушники.** Воздействие шума может привести к потере слуха.
- b. Используйте дополнительную рукоятку (рукоятки).** Потеря контроля над инструментом может привести к получению тяжёлой травмы.
- c. Перед использованием правильно захватите инструмент.** Данный инструмент производит высокий выходной крутящий момент, и без правильного захвата существует риск потери контроля над инструментом и получения телесной травмы.
- d. Держите инструмент за изолированные ручки при выполнении операций, во время которых режущий инструмент может соприкоснуться со скрытой проводкой или собственным кабелем.** Контакт насадки с находящимся под напряжением проводом делает не покрытые изоляцией металлические части электроинструмента также «живыми», что создаёт опасность поражения оператора электрическим током.
- 2) Меры предосторожности при использовании длинных свёрл**
- a. Никогда не работайте на скорости, превышающей максимальную скорость вращения сверла.** На более высоких скоростях сверло, скорее всего, согнётся, если будет свободно вращаться, не соприкасаясь с заготовкой, что приведёт к получению телесной травмы.
- b. Всегда начинайте сверление на низкой скорости, и прижав кончик сверла к поверхности заготовки.** На более высоких скоростях сверло, скорее всего, согнётся, если будет свободно вращаться, не соприкасаясь с заготовкой, что приведёт к получению телесной травмы.
- c. Оказывайте давление только на прямой линии с насадкой, и никогда не оказывайте чрезмерного давления.** Насадка может согнуться, что станет причиной её поломки или потери контроля над инструментом, что приведёт к получению телесной травмы.
- Держите инструмент за изолированные ручки при выполнении операций, во время которых крепежная деталь может соприкоснуться со скрытой проводкой или собственным кабелем.** Контакт крепёжного элемента с находящимся под напряжением проводом делает не покрытые изоляцией металлические части электроинструмента также «живыми», что создаёт опасность поражения оператора электрическим током.



Дополнительные меры безопасности при работе с электроинструментами

Внимание! Дополнительные меры предосторожности при использовании дрелей/шуруповёртов

- Используйте струбины или другие приспособления для фиксации обрабатываемой детали, устанавливая их только на неподвижной поверхности. Если держать обрабатываемую деталь руками или с упором в собственное тело, то можно потерять контроль над инструментом или обрабатываемой деталью.
- Прежде чем сверлить отверстия в стенах, полах или потолках, проверьте наличие электропроводки и трубопроводов.
- Не дотрагивайтесь до наконечника сверла сразу же после окончания сверления, так как он может быть горячим.
- Данный инструмент не может использоваться людьми (включая детей) со сниженными физическими, сенсорными и умственными способностями или при отсутствии необходимого опыта или навыка, за исключением, если они выполняют работу под присмотром или получили инструкции относительно работы с этим инструментом от лица, отвечающего за их безопасность. Не позволяйте детям играть с инструментом.
- Назначение инструмента описывается в данном руководстве по эксплуатации. Использование любых принадлежностей или приспособлений, а также выполнение данным инструментом любых видов работ, не рекомендованных данным руководством по эксплуатации, может привести к несчастному случаю и/или повреждению личного имущества.

Безопасность посторонних лиц

- Данный инструмент не может использоваться людьми (включая детей) со сниженными физическими, сенсорными и умственными способностями или при отсутствии необходимого опыта или навыка, за исключением, если они выполняют работу под присмотром или получили инструкции относительно работы с этим инструментом от лица, отвечающего за их безопасность.
- Не позволяйте детям играть с инструментом.

Остаточные риски

При работе данным инструментом возможно возникновение дополнительных остаточных рисков, которые не вошли в описанные здесь правила техники безопасности. Эти риски могут возникнуть при неправильном или продолжительном использовании изделия и т.п.

Несмотря на соблюдение соответствующих инструкций по технике безопасности и использование предохранительных устройств, некоторые остаточные риски невозможно полностью исключить. К ним относятся:

- Травмы в результате касания вращающихся/двигающихся частей инструмента.
- Риск получения травмы во время смены деталей или насадок.
- Риск получения травмы, связанный с продолжительным использованием инструмента. При использовании инструмента в течение продолжительного периода времени делайте регулярные перерывы в работе.
- Ухудшение слуха.
- Ущерб здоровью в результате вдыхания пыли в процессе работы с инструментом (например, при обработке древесины, в особенности, дуба, бука и ДВП).

Маркировка инструмента

Наклейка на вашем инструменте вместе с кодом даты может содержать следующие символы:



Внимание! Для снижения риска травмирования оператор должен прочитать эту инструкцию по эксплуатации.



Зарядное устройство предназначено только для использования внутри помещения.



Внимательно прочитайте всю инструкцию перед использованием электрического инструмента.

Местоположение кода даты

Код даты, который также включает в себя год изготовления, отштампован на поверхности корпуса инструмента.

Пример:

2017 XX JN
Год изготовления

Электрическая безопасность



Ваше зарядное устройство имеет двойную изоляцию, и поэтому провод заземления ему не нужен. Всегда проверяйте, чтобы сетевое напряжение соответствовало значению, указанному в табличке с паспортными данными. Никогда не пытайтесь заменить вилку в блоке зарядного устройства обычной сетевой вилкой.

- В случае повреждения шнура питания, чтобы избежать возникновения опасных ситуаций, его замену должен выполнить производитель оборудования или уполномоченный сервисный центр BLACK+DECKER.

Аккумуляторы

- Ни в коем случае не пытайтесь разобрать аккумулятор.
- Не погружайте аккумулятор в воду.
- Не храните в местах, где температура может превысить 40°C.
- Заряжайте аккумулятор только при температуре окружающей среды в пределах 10°C - 40°C.
- Заряжайте только зарядными устройствами, входящими в комплект поставки инструмента.
- Утилизируйте отработанные аккумуляторы, следуя инструкциям раздела «Защита окружающей среды».



Ни в коем случае не пытайтесь заряжать повреждённый аккумулятор!

Зарядные устройства

- Используйте ваше зарядное устройство BLACK+DECKER только для зарядки аккумулятора инструмента, в комплект поставки которого он входит. Аккумуляторы других марок могут взорваться, что приведёт к получению травмы или повреждению инструмента.
- Ни в коем случае не пытайтесь зарядить непerezаряжаемые аккумуляторы.
- Немедленно замените повреждённый сетевой кабель.
- Не погружайте зарядное устройство в воду.
- Не разбирайте зарядное устройство.
- Не используйте зарядное устройство в качестве объекта для проведения испытаний.



Зарядное устройство предназначено только для использования внутри помещений.



Перед началом работы внимательно прочтите руководство по эксплуатации.

Составные части

Данный инструмент может содержать все или некоторые из перечисленных ниже составных частей:

1. Курковый пусковой выключатель с регулировкой скорости
2. Переключатель направления вращения (реверса)
3. Муфта установки крутящего момента
4. Быстрозажимной патрон
5. Переключатель скоростей
6. Светодиодная подсветка
7. Аккумулятор
8. Отпирающая кнопка аккумулятора

Сборка

Эксплуатация

Внимание! Не форсируйте рабочий процесс. Избегайте перегрузки инструмента.

Зарядка аккумулятора (не входит в комплект поставки) (Рис. А)

Аккумулятор нуждается в зарядке перед первым использованием и если он не обеспечивает достаточную мощность для работ, которые ранее выполнялись легко и быстро. В процессе зарядки аккумулятор может слегка гудеть и нагреваться. Это нормально и не указывает на наличие какой-либо проблемы.

Внимание! Не заряжайте аккумулятор при температуре окружающей среды ниже 10°C или выше 40°C. Рекомендуемая температура зарядки: приблизительно 24°C.

Примечание: Зарядное устройство не будет заряжать аккумулятор, если температура его элементов ниже 10°C или выше 40°C. Аккумулятор должен быть оставлен в зарядном устройстве. При уменьшении или увеличении температуры элементов зарядка начнётся автоматически.

- Чтобы зарядить аккумулятор (7), вставьте в него USB-штекер зарядного устройства (9).
- Вставьте вилку зарядного устройства (9) в подходящую электрическую розетку и включите его.
- Разряженные аккумуляторы заряжайте в течение 1 недели после разрядки. Срок службы аккумулятора, хранившегося в разряженном состоянии, значительно уменьшается.

Внимание! Опасность возникновения пожара. При отсоединении зарядного устройства от инструмента сначала извлеките вилку зарядного устройства из розетки, затем отсоедините кабель зарядного устройства от инструмента.

Установка и извлечение аккумулятора (не входит в комплект поставки) (Рис. В)

- Чтобы установить аккумулятор, совместите его с приёмным гнездом на инструменте. Вдвиньте аккумулятор в приёмное гнездо и нажмите на него, пока он не зафиксируется на месте.
- Для извлечения аккумулятора нажмите на отпирающую кнопку (8), одновременно вынимая аккумулятор из приёмного гнезда.

Инструкции по эксплуатации

Курковый пусковой выключатель и переключатель направления вращения (Рис. Е)

- Данная дрель включается и выключается путём нажатия и отпущения куркового пускового выключателя (1). Чем сильнее нажим на курковый выключатель, тем выше скорость инструмента.
- Направление вращения устанавливается при помощи переключателя направления вращения (2).
- Для установки вращения вперёд, отпустите курковый выключатель и переведите переключатель направления вращения влево.
- Для установки реверса сдвиньте переключатель направления вращения в противоположном направлении.

Установка крутящего момента (Рис. С)

Данный инструмент оборудован муфтой установки крутящего момента (3) для выбора режима работы и регулировки крутящего момента при заворачивании саморезов. Крупные саморезы и заготовки из твёрдых материалов нуждаются в более высоком крутящем моменте, чем мелкие саморезы и заготовки из мягких материалов.

- При сверлении в древесине, металле и пластике установите муфту напротив символа режима сверления
- При заворачивании установите муфту на цифре, соответствующей необходимому для работы крутящему моменту. Если вы не знаете, какая из настроек в полной мере соответствует выполняемой операции, поступите следующим образом:
- Установите муфту на позицию минимального крутящего момента.

- Заверните первый саморез.
- Если до завершения операции муфта пробуксовывает, увеличьте крутящий момент и продолжите заворачивание. Повторяйте это действие, пока не будет определена правильная величина крутящего момента. Используйте эту величину при заворачивании остальных саморезов.

Быстрозахимной патрон (Рис. D)

Чтобы вставить сверло или другую насадку:

- Развернув патрон задней стороной к себе, одной рукой обхватите заднюю часть патрона (4а), другой рукой поворачивайте переднюю часть патрона (4) в направлении против часовой стрелки.
- Вставьте хвостовик сверла или другой насадки в патрон до упора. Развернув патрон задней стороной к себе, надёжно затяните патрон, одной рукой удерживая заднюю часть патрона, другой рукой поворачивая переднюю часть патрона в направлении по часовой стрелке.

Внимание! Не пытайтесь закрепить сверло (или какую-либо другую насадку), захватив переднюю часть патрона и одновременно включив инструмент. Это может привести к повреждению патрона и получению травмы при смене насадок.

Переключатель скоростей (Рис. F)

2-х скоростной редуктор Вашего инструмента позволяет легко переключаться с одной скорости на другую для максимальной универсальности применения инструмента. Для установки низкой скорости/высокого крутящего момента (положение 1) выключите инструмент и дождитесь его полной остановки. Переведите переключатель скоростей (5) в направлении от патрона. Для установки высокой скорости/низкого крутящего момента (положение 2) выключите инструмент и дождитесь его полной остановки. Переведите переключатель скоростей в направлении патрона.

Примечание: Не переключайте скорость при работающем инструменте. Если у вас возникли проблемы при переключении скоростей, убедитесь, что переключатель скоростей полностью переведён вперёд или назад.

Сверление/заворачивание

- Выберите направление вращения при помощи переключателя (2).
- Чтобы включить инструмент, нажмите на курковый пусковой выключатель (1). Скорость инструмента зависит от глубины нажатия на курковый выключатель.

- Чтобы выключить инструмент, отпустите курковый пусковой выключатель.

Рекомендации по оптимальному использованию

Сверление

- Всегда используйте только остро заточенные насадки.
- Поддерживайте и закрепляйте заготовку надлежащим образом, как описано в Инструкциях по технике безопасности.
- Используйте надлежащее и соответствующее защитное оборудование, как описано в Инструкциях по технике безопасности
- Обеспечьте безопасность рабочего места, как описано в Инструкциях по технике безопасности.
- Прилагая лёгкое давление на дрель, очень медленно начните сверление, пока высверливаемое отверстие не будет достаточного размера, чтобы из него не выскользнуло сверло.
- Прилагайте давление по прямой линии со сверлом. Давление должно быть достаточным для равномерного врезания сверла, но не слишком сильным, чтобы не вызвать останова двигателя или отклонение сверла.
- Крепко держите инструмент обеими руками, чтобы контролировать вращательное действие сверла.
- При внезапном останове не пытайтесь запустить двигатель многократным нажатием на курковый пусковой выключатель. Это может привести к повреждению дрели.
- Для сведения к минимуму риск внезапного останова ослабьте прилагаемое давление и медленно закончите высверливание отверстия.
- Не выключайте двигатель при извлечении сверла из высверленного отверстия. Это позволит снизить риск заклинивания сверла.
- Убедитесь, что инструмент включается и выключается при нажатии и отпускании пускового выключателя.

Сверление в дереве

Для сверления в дереве можно также использовать спиральные свёрла для металла или перьевые свёрла для сверления древесины. Данные свёрла должны быть остро заточенными, и во время сверления их следует часто извлекать из отверстия для прочищения канавок от опилок.

Сверление в металле

При сверлении металлов используйте смазочно-охлаждающую жидкость. Исключение составляют чугун и медь, которые нужно сверлить без смазки. Наиболее эффективные смазочные материалы – сульфированная СОЖ или льняное масло.

Заворачивание

- Всегда используйте отвёрточную насадку соответствующего типа и размера.
- Если винты заворачиваются с трудом, попробуйте нанести на них небольшое количество моющего средства или мыла в качестве смазки.
- Всегда держите инструмент и отвёрточную насадку на прямой линии с винтом.

Возможные неисправности и способы их устранения

Проблема	возможная причина	возможное решение
Инструмент не включается.	Аккумулятор не заряжен.	Проверьте правильность установки аккумулятора.
Аккумулятор не заряжается.	Вилка зарядного устройства не подключена к розетке. Слишком высокая или слишком низкая температура окружающей среды..	Вставьте вилку зарядного устройства в рабочую розетку.. Перенесите аккумулятор и зарядное устройство в место, где температура окружающей среды не ниже +4,5°С и не выше +40,5°С.
Инструмент внезапно отключается.	Аккумулятор достиг своего максимального теплового предела. Аккумулятор разряжен. (Чтобы максимально продлить срок службы аккумулятора, его конструкция предусматривает автоматическое отключение при чрезмерном истощении заряда.)	Дайте аккумулятору полностью остыть. Установите аккумулятор в зарядное устройство и оставьте его заряжаться.

Техническое обслуживание

Ваш инструмент BLACK+DECKER рассчитан на работу в течение продолжительного времени при минимальном техническом обслуживании. Срок службы и надёжность инструмента увеличивается при правильном уходе и регулярной чистке. Ваше зарядное устройство не требует никакого дополнительного технического обслуживания, кроме регулярной чистки.



Внимание! Перед любыми видами работ по техническому обслуживанию извлекайте из инструмента аккумулятор. Перед чисткой зарядного устройства отключите его от источника питания.

- Регулярно очищайте вентиляционные отверстия вашего инструмента и зарядного устройства мягкой щёткой или сухой тканью.
- Регулярно очищайте корпус двигателя влажной тканью. Не используйте абразивные чистящие средства, а также чистящие средства на основе растворителей.
- Регулярно раскрывайте патрон и вытряхивайте из него всю накопившуюся пыль.

Важно! В целях обеспечения БЕЗОПАСНОСТИ и ДОЛГОВЕЧНОСТИ в использовании продукта ремонт, техническое обслуживание и регулировка (кроме перечисленных в данном руководстве по эксплуатации) должны производиться только в авторизованных сервисных центрах или других квалифицированных мастерских и только с использованием идентичных запасных частей. Внутри инструмента нет обслуживаемых пользователем деталей.

Дополнительные принадлежности

Рекомендованные дополнительные принадлежности, используемые с Вашим инструментом, можно приобрести за дополнительную плату у местного дилера или в авторизованном сервисном центре.



Внимание! Использование любых принадлежностей, не рекомендованных к использованию с данным инструментом, может быть опасным.

Аккумуляторы



Аккумуляторы BLACK+DECKER можно подзаряжать неограниченное количество раз. По окончании срока службы утилизируйте отработанные аккумуляторы безопасным для окружающей среды способом:

- Полностью разрядите аккумулятор, затем извлеките его из инструмента.

- Li-Ion, NiCd и NiMH аккумуляторы подлежат переработке. Сдайте их в любой авторизованный сервисный центр или в местный пункт переработки.

Защита окружающей среды



Раздельный сбор отходов. Запрещается утилизировать этот продукт вместе с обычными бытовыми отходами.

Если вы решите, что ваше изделие BLACK+DECKER необходимо заменить, или если вы не будете его больше использовать, не утилизируйте его вместе с бытовыми отходами. Этот продукт подлежит раздельному сбору отходов.



Раздельный сбор использованных продуктов и упаковочных материалов позволяет производить их вторичную переработку с дальнейшим повторным использованием. Повторное использование материалов, прошедших вторичную переработку, снижает загрязнение окружающей среды и уменьшает потребность в сырьевых материалах.

Нормативные акты местных органов власти могут предусматривать сбор использованных электрических изделий отдельно от бытовых отходов, в муниципальных пунктах сбора отходов или в магазине при покупке нового изделия.

BLACK+DECKER предоставляет возможность для сбора и повторной переработки продуктов BLACK+DECKER после окончания срока их службы. Чтобы воспользоваться преимуществом этого сервиса, пожалуйста, отправьте ваш продукт любому уполномоченному представителю по ремонту, который собирает такие изделия от нашего имени.

Вы можете узнать адрес нашего ближайшего уполномоченного представителя по ремонту, позвонив в региональное представительство BLACK+DECKER, указанное в этой инструкции. Кроме того, список уполномоченных представителей по ремонту BLACK+DECKER, подробная информация о послепродажном обслуживании и контактные данные можно найти на сайте www.2helpU.com.

Технические характеристики

BDCHD12S1		
Напряжение питания	В пост. тока	12
Скорость без нагрузки	об/мин.	0-350 / 0-1350
Макс. крутящий момент	Нм	17,5 / 40
Патро	мм	1-10
Максимальный диаметр сверления		
Сталь/дерево/кирпич	мм	10 / 25 / 10
Вес	кг	0,90 (1,15 с аккумулятором)

Аккумулятор (входит в комплект поставки)		
Напряжение питания	В пост. тока	12
Ёмкость	Ач	1,5
Тип аккумулятора		Li-Ion



Гарантийные условия

Уважаемый покупатель!

1. Поздравляем Вас с покупкой высококачественного изделия Black+Decker и выражаем признательность за Ваш выбор.
2. При покупке изделия требуйте проверки его комплектности и исправности в Вашем присутствии, инструкцию по эксплуатации и заполненный гарантийный талон на русском языке.

В гарантийном талоне должны быть внесены: модель, дата продажи, серийный номер, дата производства инструмента; название, печать и подпись торговой организации. При отсутствии у Вас правильно заполненного гарантийного талона мы будем вынуждены отклонить Ваши претензии по качеству данного изделия.

3. Во избежание недоразумений убедительно просим Вас перед началом работы с изделием внимательно ознакомиться с инструкцией по его эксплуатации.

Правовой основой настоящих гарантийных условий является действующее Законодательство.

Гарантийный срок на данное изделие составляет 24 месяца и исчисляется со дня продажи. В случае устранения недостатков изделия, гарантийный срок продлевается на период его нахождения в ремонте.

Срок службы изделия - 5 лет со дня продажи.

4. В случае возникновения каких-либо проблем в процессе эксплуатации изделия рекомендуем Вам обращаться только в уполномоченные сервисные центры BLACK+DECKER, адреса и телефоны которых Вы сможете найти в гарантийном талоне, на сайте www.2helpU.com или узнать в магазине. Наши сервисные станции - это не только квалифицированный ремонт, но и широкий ассортимент запчастей и принадлежностей.
5. Производитель рекомендует проводить периодическую проверку и техническое обслуживание изделия в уполномоченных сервисных центрах.

6. Наши гарантийные обязательства распространяются только на неисправности, выявленные в течение гарантийного срока и вызванные дефектами производства и \ или материалов.
7. Гарантийные обязательства не распространяются на неисправности изделия, возникшие в результате:
 - 7.1. Несоблюдения пользователем предписаний инструкции по эксплуатации изделия, применения изделия не по назначению, неправильному хранении, использования принадлежностей, расходных материалов и запчастей, не предусмотренных производителем.
 - 7.2. Механического повреждения (сколы, трещины и разрушения) внутренних и внешних деталей изделия, основных и вспомогательных рукояток, сетевого электрического кабеля, вызванного внешним ударным или любым иным воздействием.
 - 7.3. Попадания в вентиляционные отверстия и проникновение внутрь изделия посторонних предметов, материалов или веществ, не являющихся отходами, сопровождающими применение изделия по назначению, такими как: стружка, опилки, песок, и пр.
 - 7.4. Воздействие на изделие неблагоприятных атмосферных и иных внешних факторов, таких как дождь, снег, повышенная влажность, нагрев, агрессивные среды, несоответствие параметров питающей электросети, указанным на инструменте.
 - 7.5. Стихийного бедствия. Повреждение или утрата изделия, связанное с непредвиденными бедствиями, стихийными явлениями, в том числе вследствие действия непреодолимой силы (пожар, молния, потоп и другие природные явления), а так же вследствие перепадов напряжения в электросети и другими причинами, которые находятся вне контроля производителя.
8. Гарантийные условия не распространяются:
 - 8.1. На инструменты, подвергавшиеся вскрытию, ремонту или модификации вне уполномоченной сервисной центра.
 - 8.2. На детали и узлы, имеющие следы естественного износа, такие как: приводные ремни и колеса, угольные щетки, смазка, подшипники, зубчатое зацепление редукторов, резиновые уплотнения, сальники, направляющие ролики, муфты, выключатели, бойки, толкатели, стволы и т.п.
 - 8.3. на сменные части: патроны, цанги, зажимные гайки и фланцы, фильтры, аккумуляторные батареи, ножи, шлифовальные подошвы, цепи, звездочки, пыльные шины, защитные кожухи, пилки, абразивы, пыльные и абразивные диски, фрезы, сверла, буры и т.п.
 - 8.4. На неисправности, возникшие в результате перегрузки инструмента (как механической, так и электрической), повлекшей выход из строя одновременно двух и более деталей и узлов, таких как: ротора и статора, обеих обмоток статора, ведомой и ведущей шестерни редуктора и других узлов и деталей. К безусловным признакам перегрузки изделия относятся, помимо прочего: появление цветов побелости, деформация или оплавление деталей и узлов изделия, потемнение или обугливание изоляции проводов электродвигателя под воздействием высокой температуры.



Изготовитель

Блэк энд Деккер Холдингс ГмбХ
Германия, 65510, Идштайн,
ул. Блэк энд Деккер, 40

Призначення

Ударний дріль BLACK+DECKER™ BDCHD12S1 призначений для загвинчування шурупів та свердління дерева, металів та пластмас. Цей інструмент призначений тільки для побутового використання.

Перш ніж повернути цей виріб до магазину, спочатку зв'яжіться з регіональним представництвом BLACK+DECKER або зверніться до найближчого авторизованого сервісного центру.

Інструкції з техніки безпеки

Загальні вказівки щодо безпечної роботи з електричним інструментом.



Увага! Необхідно ретельно ознайомитись із усіма попереджувальними знаками, вказівками щодо безпечної роботи, графічними матеріалами та технічними описами, що додаються до цього

електричного інструмента. Недотримання вказівок щодо безпечної роботи може призвести до ураження електричним струмом, пожежі та/або серйозних травм персоналу.

Зберігайте усі застереження та вказівки з техніки безпеки для подальшого використання.

Термін «електричний інструмент», що використовується у всіх застережливих написах та вказівках щодо техніки безпеки, наведених нижче, стосується електричного інструменту, що працює від мережі (зі шнуром живлення) або від акумуляторної батареї (без шнура живлення).

1. Вказівки з техніки безпеки на робочому місці

- a. **Робоче місце має бути прибрано та добре освітлене.** Безлад або погане освітлення на робочому місці можуть призвести до нещасного випадку.
- b. **Не працюйте з електроінструментом в місці зберігання вибухонебезпечних матеріалів, наприклад, у присутності легкозаймистих рідин, газів або пилу.** Іскри, що виникають під час роботи електричного інструмента, можуть призвести до займання пилу чи випарів.
- c. **Забороняється перебування дітей та сторонніх осіб поблизу електричного інструменту під час роботи.** Відволікання може призвести до втрати контролю за роботою інструмента.

2. Електрична безпека

- a. **Вилка шнура живлення інструмента має відповідати мережевій розетці.** Забороняється будь-яким чином змінювати конструкцію вилки шнура живлення. Забороняється вклучати заземлений (занулений) електричний інструмент до

джерела струму через адаптер. Зміна конструкції вилки шнурів живлення та невідповідність електричних вилки і розеток збільшує ризик ураження електричним струмом.

- b. **Не торкайтеся поверхонь заземлених чи занулених предметів, наприклад, труб, радіаторів, електроплит або холодильників.** Заземлення чи занулення тіла підвищує ризик ураження електричним струмом.
 - c. **Необхідно берегти електричні інструменти від дощу та впливу підвищеної вологості.** Попадання вологи всередину електричного інструмента підвищує ризик ураження електричним струмом.
 - d. **Поводитися зі шнуром живлення необхідно уважно і обережно.** Забороняється підіймати, тягнути електричний інструмент та виймати його вилку з розетки за шнур. Слід берегти електричний шнур від впливу джерел тепла, оливи, гострих країв та рухомих деталей. Пошкодження і заплутування шнурів живлення підвищує ризик ураження електричним струмом.
 - e. **Під час роботи з електричним інструментом за межами приміщень необхідно використовувати відповідний подовжувач.** Використання подовжувача, призначеного для роботи поза приміщеннями, знижує ризик ураження електричним струмом.
 - f. **Якщо електричний інструментом необхідно користуватись у вологості місці, слід використовувати пристрій захисного відключення (ПЗВ) електричної мережі.** Використання ПЗВ знижує ризик ураження електричним струмом. Примітка: Термін «пристрій захисного відключення» (ПЗВ) може бути замінений терміном «вимикач короткого замикання на землю» (ВКЗЗ) або терміном «автоматичний вимикач витоку на землю» (АВВЗ).
- ### 3. Індивідуальна техніка безпеки
- a. **Під час роботи з електричним інструментом необхідно бути обачним, слідкувати за роботою що виконується, та керуватись здоровим глуздом.** Забороняється працювати з електричним інструментом у стані втоми чи під впливом наркотиків, алкоголю і лікарських препаратів. Миттєве ослаблення уваги може призвести до серйозної травми.
 - b. **Необхідно використовувати засоби індивідуального захисту.** Необхідно завжди використовувати засоби захисту очей. Використання у відповідних умовах засобів індивідуального захисту, наприклад пилозахисної маски, протиковзного захисного взуття, захисної каски або засобів захисту органів слуху, зменшує ризик отримання травми.

- c. Потрібно уникати ненавмисного вмикання інструмента.** Перш ніж під'єднати джерело живлення та/або акумулятор, або в разі, якщо необхідно підняти або перенести інструмент, переконайтесь, що його вимикач знаходиться у вимкненому положенні. Якщо тримати палець на вимикачі під час перенесення інструмента чи під'єднання увімкненого інструмента до мережі, це підвищує ризик нещасного випадку.
- d. Перш ніж увімкнути електричний інструмент, необхідно обов'язково вийняти з нього регульовальний чи гайковий ключ.** Якщо на рухомих деталях інструмента був залишений ключ, це може призвести до травми.
- e. Забороняється намагатися дотягнутися до важкодоступних місць.** Під час роботи необхідно міцно триматися на ногах і зберігати рівновагу. Це дозволяє краще контролювати електричний інструмент у непередбачуваних ситуаціях.
- f. Необхідно використовувати захисний одяг.** Забороняється одягати вільний одяг та прикраси. Волосся та одяг мають знаходитися на безпечній відстані від рухомих деталей інструменту. Вільний одяг, прикраси чи довге волосся можуть бути захоплені рухомими елементами.
- g. Якщо встановлені пристрої під'єднання засобів переловлювання та пилосбирників, необхідно перевіряти, щоб вони були під'єднані та використовувалися належним чином.** Використання цих пристроїв знижує рівень ризику, пов'язаного з наявністю пилу в повітрі.
- h. Досвід роботи з електричним інструментом та часте його використання не повинні ставати причиною легковажного ставлення до правил безпечної експлуатації чи їх ігнорування.** Легковажне ставлення навіть на частку секунду може призвести до серйозної травми.
- 4. Використання електричного інструменту та догляд за ним.**
- a. Під час роботи з електричним інструментом забороняється прикладати надмірні зусилля.** Дозволяється використовувати електричний інструмент тільки за призначенням. Правильно підібраний електричний інструмент дозволить виконати роботу краще і безпечніше на швидкості, на яку він розрахований.
- b. Експлуатацію інструменту із несправним вимикачем заборонено.** Електричний інструмент, роботою якого не можна керувати за допомогою вимикача, є небезпечним та підлягає обов'язковому ремонту.
- c. Перш ніж регулювати електричний інструмент, замінювати на ньому приладдя чи класти на зберігання, необхідно витягти вилку живлення з розетки та/або від'єднати від нього акумулятор.** Такий запобіжний захід безпеки знижує ризик ненавмисного увімкнення інструменту.
- d. Зберігати електричний інструмент, що на разі не використовується, необхідно в недоступному для дітей місці, а його використання особами, які не знайомі з ним або з цією інструкцією, заборонено.** Електричний інструмент є небезпечним в руках ненавченої людини.
- e. Технічне обслуговування електроінструмента та приладдя.** Перевіряйте центрування та з'єднання рухомих деталей, наявність пошкоджених деталей і будь-які фактори, які можуть негативно позначитися на роботі електричного інструмента. У разі виявлення пошкодження електричний інструмент необхідно відремонтувати, перш ніж його використовувати. Багато нещасних випадків трапляється через неналежне технічне обслуговування електричних інструментів.
- f. Різальні інструменти мають бути загостреними і чистими.** Різальний інструмент з гострими ріжучими кромками, який підтримується у належному робочому стані, менше застрягає, а керувати ним легше.
- g. Використовуйте електричний інструмент, приладдя, вставні різці тощо відповідно до цієї інструкції, враховуючи умови експлуатації та роботу, яку потрібно виконати.** Використання електричного інструмента не за призначенням може призвести до виникнення небезпечної ситуації.
- h. Необхідно забезпечувати відсутність бруду, вологи та залишків оливи та мастила на рукоятках та поверхнях утримання інструменту.** Слизькі рукоятки та поверхні утримання є джерелами небезпеки під час роботи з електричним інструментом та не дозволяють надійно керувати інструментом в нештатних ситуаціях.
- 5. Використання акумуляторної батареї та догляд за нею**
- a. Заряджання акумуляторної батареї повинне виконуватися тільки за допомогою того зарядного пристрою, який вказав виробник акумуляторної батареї.** Якщо зарядний пристрій, який підходить для одного типу акумулятора, використовується для зарядки акумулятора іншого типу, це може призвести до виникнення пожежонебезпечної ситуації.
- b. Використовуйте електричний інструмент тільки з конкретно зазначеними акумуляторними батареями.** Використання будь-яких інших акумуляторних батарей підвищує ризик травмування та виникнення пожежонебезпечної ситуації.

- c. Якщо акумуляторна батарея не використовується, вона повинна зберігатися окремо від металевих предметів, таких як канцелярські скріпки, монети, ключі, цвяхи, шурупи та інші невеликі металеві предмети, які можуть замкрити клеми батареї.** Коротке замикання клем акумуляторної батареї може призвести до опіків або пожежі.
- d. В умовах неправильної експлуатації рідкий електроліт може бути викинутий з акумуляторної батареї, тому слід остерігатися контакту з електролітом.** Якщо стався випадковий контакт з рідким електролітом, промийте це місце водою. Якщо рідина потрапила в очі, необхідно також звернутися за медичною допомогою. Контакт з рідиною, викинутою з акумуляторної батареї, може призвести до подразнення або опіків.
- e. Забороняється використання акумуляторної батареї, якщо її було пошкоджено або її конструкцію — змінено.** Пошкоджена або змінена акумуляторна батарея може викликати непередбачувані явища, наприклад пожежу, вибух або травму.
- f. Забороняється надавати акумуляторну батарею дії відкритого полум'я або нагріванню.** Внаслідок дії відкритого полум'я або нагрівання вище за 130 °C може статися вибух. ПРИМІТКА: Значення температури «130 °C» відповідає значенню «265 °F».
- g. Виконуйте усі інструкції з заряджання та не заряджайте акумуляторну батарею або інструмент, якщо температура навколишнього середовища виходить за межі дозволеного діапазону.** Заряджання невідповідним шляхом або за межами дозволеного діапазону може призвести до пошкодження акумуляторної батареї та підвищує ймовірність пожежі.
- 6. Обслуговування**
- a. Обслуговувати електричний інструмент повинен тільки кваліфікований ремонтний персонал, і при цьому повинні використовуватися тільки оригінальні запасні частини.** Це дозволить підтримувати безпечний стан електричного інструмента.
- b. Забороняється проводити ремонт пошкоджених акумуляторних батарей.** Ремонт і обслуговування акумуляторних батарей повинні проводити кваліфіковані працівники авторизованого сервісного центру.
- 7. Загальні попередження з техніки безпеки під час використання дрilі**
- 1) Вказівки щодо безпечного виконання всіх операцій**
- a. Під час роботи з ударними дрilями**
- використовуйте засоби захисту органів слуху.** Вплив шуму може призвести до погіршення слуху.
- b. Використовуйте допоміжні рукоятки.** Втрата керованості інструменту може призвести до травмування.
- c. Перед початком роботи міцно візьміться за інструмент.** Інструмент створює великий крутильний момент, тому, якщо не тримати його міцно під час роботи, це може призвести до втрати контролю та травми.
- d. Під час виконання робіт, коли ріжуча деталь електричного інструменту може стикатися з прихованою електропроводкою або із власним шнуром, інструмент необхідно тримати за діелектричну поверхню.** В разі контакту ріжучої деталі з дротом, що знаходиться під напругою, під напругу також можуть потрапити металеві деталі електричного інструмента, внаслідок чого виникне небезпека ураження оператора електричним струмом.
- 2) Інструкції з техніки безпеки під час використання довгих свердел**
- a. Забороняється перевищувати номінальну швидкість обертання, на яку розраховане свердло.** В разі перевищення швидкості обертання в разі відсутності контакту з деталлю свердло може зігнути та спричинити травму.
- b. Завжди починайте свердління на малій швидкості та з забезпеченням контакту між свердлом та деталлю.** В разі перевищення швидкості обертання в разі відсутності контакту з деталлю свердло може зігнути та спричинити травму.
- c. Прикладати силу необхідно тільки вздовж осі свердла без застосування надмірних зусиль.** Внаслідок прикладання надмірних зусиль свердло може зігнути, що спричинить втрату керованості та травму.
- Під час виконання робіт, якщо патрон електричного інструменту може стикатися з прихованою електропроводкою, інструмент необхідно тримати за діелектричну поверхню. При контактi кріпильної деталі з проводом під напругою, під напругу можуть потрапити металеві деталі електричного інструменту, внаслідок чого виникає небезпека ураження оператора електричним струмом.



Додаткові застереження з техніки безпеки при роботі з електричним інструментом

Увага! Додаткові вказівки щодо безпечної роботи з дрilем/шуроповертом.

- Закріпіть робочу деталь на стійкій основі затискачами або іншим зручним і практичним способом. Якщо тримати деталь руками або притискати її до себе, вона буде незакріпленою, що може призвести до втрати контролю за роботою інструмента.
- Перед виконанням свердління стін, підлог і стель перевіряйте розташування електропроводки і труб.
- Не торкайтеся наконечника свердла дрилі після свердління, оскільки він може бути гарячим.
- Цей інструмент не призначений для використання особами (включаючи дітей) з обмеженими фізичними, сенсорними або розумовими здібностями або особами, у яких відсутній необхідний досвід і знання, крім випадків, коли вони знаходяться під наглядом і отримали належні інструкції по роботі з інструментом від особи, відповідальної за їхню безпеку. Щоб діти не гралися з інструментом, вони повинні знаходитися під наглядом.
- Призначення інструменту описане в цій інструкції з експлуатації. Використання будь-якого приладдя і додаткових пристосувань разом з цим інструментом або використання інструменту в цілях, які не рекомендовані в цій інструкції, може призвести до виникнення ризику травмування персоналу та пошкодження майна.
- травми, отримані внаслідок торкання обертових і рухомих деталей;
- травми, отримані під час заміни деталей, ножів та приладдя;
- травми, отримані внаслідок тривалого використання інструменту. В разі тривалого використання інструменту необхідно робити регулярні перерви в роботі;
- погіршення слуху;
- Погіршення здоров'я, викликане вдиханням пилю, що з'являється під час роботи інструменту (наприклад, під час роботи з деревом, особливо з дубом, буком або ДВП).

Наклейки на інструменті

Наклейка на вашому інструменті може містити наступні символи.



Увага! Для зниження ризику травмування оператор повинен прочитати цю інструкцію з експлуатації.



Зарядний пристрій призначений тільки для використання всередині приміщення.



Уважно прочитайте всю інструкцію перед використанням електричного інструменту.

Безпека інших осіб

- Цей інструмент не призначений для використання особами (включаючи дітей) з обмеженими фізичними, сенсорними або розумовими здібностями або особами, у яких відсутній необхідний досвід і знання, крім випадків, коли вони знаходяться під наглядом і отримали належні вказівки по роботі з інструментом від особи, відповідальної за їхню безпеку.
- Щоб діти не гралися з інструментом, вони повинні знаходитися під наглядом.

Залишковий ризик

Додатковий залишковий ризик може виникнути у випадках використання інструменту, які можуть бути не враховані в перерахованих вказівках щодо безпечної роботи. Така небезпека може виникати в разі неправильного або тривалого використання тощо.

Навіть за умови дотримання всіх відповідних правил техніки безпеки та використанні захисних пристроїв, неможливо повністю усунути залишковий ризик. Серед них:

Положення штрих-коду з датою

Штрих-код з датою, який також включає рік виготовлення, надрукований на корпусі.
Приклад:

2017 XX JN
Рік виготовленн

Електрична безпека



Ваш зарядний пристрій має подвійну ізоляцію, і тому дріт заземлення йому не потрібен. Завжди перевіряйте, щоб мережева напруга відповідала значенню, зазначеному в таблиці з паспортними даними. Ніколи не намагайтеся замінити вилку в блоці зарядного пристрою звичайною мережевою вилкою.

- У разі пошкодження кабелю живлення, щоб уникнути виникнення небезпечних ситуацій, його заміну повинен виконати виробник обладнання або уповноважений сервісний центр BLACK+DECKER.

Акумуляторні батареї

- За будь-яких обставин забороняється здійснювати спроби відкрити акумулятор.
- Не допускайте контакту акумулятора з водою.
- Заряджайте акумулятор тільки за температури навколишнього середовища 10 °C до 40 °C.
- Заряджайте акумулятор тільки за допомогою зарядного пристрою, який входить у комплект інструменту.
- Утилізацію акумуляторних батарей необхідно проводити відповідно до вказівок, що містяться в розділі «Захист навколишнього середовища».



Не намагайтеся заряджати пошкоджені акумуляторні батареї.

Зарядні пристрої

- Використовуйте зарядний пристрій BLACK+DECKER лише для зарядки акумулятора, який встановлений в електроінструменті, до комплекту якого цей зарядний пристрій входить. При зарядці інших акумуляторних батарей може статися вибух, який призведе до травмування людей і пошкодження майна.
- Ніколи не намагайтесь заряджати батареї одноразового використання.
- Пошкоджені кабелі живлення необхідно замінювати негайно.
- Не допускайте потрапляння води на зарядний пристрій.
- Не відкривайте зарядний пристрій.
- Не зондуйте зарядний пристрій.



Зарядний пристрій призначений тільки для використання у приміщенні.



Перед його використанням прочитайте інструкцію з експлуатації.

Функції

1. Перемикач кількості обертів
2. Рухомий перемикач прямого/зворотного напрямку обертання
3. Кільце регулювання крутного моменту
4. Безключовий затискний патрон

5. Два діапазони швидкості обертання
6. Світлодіод робочого освітлення
7. Акумуляторна батарея
8. Кнопка розблокування акумуляторної батареї

Монтаж

Використання

Увага! Інструмент має працювати зі швидкістю, яка відповідає його технічним характеристикам. Не перевантажуйте його.

Заряджання акумуляторної батареї (не входить в комплект) (мал. А)

Заряджання акумуляторної батареї необхідно виконувати перед її першим використанням, а також кожного разу, коли вона не в змозі забезпечувати потужність, необхідну для виконання роботи, хоча перед цим така робота виконувалася легко. Під час зарядки акумуляторна батарея може нагріватися; це нормально і не означає наявність проблеми.

Увага! Заборонено заряджати акумуляторну батарею при температурі повітря нижче 10 °C і вище 40 °C. Рекомендована температура повітря для зарядки складає близько 24 °C.

Примітка: Зарядний пристрій не буде заряджати акумуляторну батарею, якщо температура гальванічного елемента нижче близько 10 °C або вище 40 °C.

Акумуляторну батарею слід залишити в зарядному пристрої, і він почне заряджати батарею автоматично, коли температура елемента підніметься або знизиться до прийнятного рівня.

- Щоб зарядити батарею, під'єднайте зарядний пристрій USB (9) до акумуляторної батареї (7).
- Підключіть зарядний пристрій (9) до відповідного джерела живлення та увімкніть його.
- Виконуйте підзарядку розрядженої акумуляторної батареї не більше ніж через тиждень після розряду. Якщо акумуляторну батарею зберігати в розрядженому стані, її робочий ресурс істотно скоротиться.

Увага! Небезпека пожежі. Під час від'єднання пристрою від інструменту необхідно спочатку від'єднати пристрій від розетки, а потім шнур зарядного пристрою від інструменту.

Встановлення та зняття акумуляторної батареї (не входить до комплекту) (мал.В)

- Щоб встановити акумуляторну батарею, сумістіть її з прийомним гніздом на інструменті. Введіть акумулятор в гніздо і натисніть, щоб він клацнув і став на своє місце.
- Щоб дістати акумуляторну батарею, натисніть кнопки розблокування (8), одночасно виймаючи акумулятор з приймального гнізда.

Вказівки з роботи**Пусковий вимикач і перемикач напрямку обертання (мал. Е)**

- Щоб увімкнути або вимкнути дріль, відповідно натисніть та відпустіть пусковий вимикач (1). Швидкість обертання дрелю збільшується з посиленням натискання на вимикач.
- Перекидний перемикач прямого/реверсного напрямку обертання (2) визначає напрямок обертання інструмента.
- Щоб вибрати прямий напрямок обертання, відпустіть пусковий вимикач і переведіть кнопку вибору напрямку обертання у ліве положення.
- Щоб вибрати реверсний напрямок обертання, переведіть кнопку вибору напрямку обертання у протилежне положення.

Регулювання крутного моменту (мал. С)

Цей інструмент оснащений кільцем регулювання крутного моменту (3) для вибору режиму роботи та завдання крутного моменту для затягування шурупів. Для великих шурупів і деталей з твердих матеріалів необхідно збільшувати крутний момент у порівнянні з невеликими шурупами і деталями з м'яких матеріалів.

- Для виконання свердління дерева, металів і пластмас встановіть кільце в положення навпроти позначки свердла.
- Для закручування гвинтів переведіть кільце в потрібне положення. Якщо ви ще не знаєте, яке налаштування вам встановити, виконайте такі дії:
- Встановіть кільце в положення мінімального крутного моменту;
- Закрутіть перший гвинт;

- Якщо переривчасті рухи патрона почнуться до того, як шуруп буде повністю закручений, збільшіть налаштування крутного моменту і продовжуйте закручувати шуруп. Повторюйте ці дії доти, доки не буде знайдено необхідне налаштування. Використовуйте це налаштування для закручування інших шурупів.

Затискний патрон без ключа (мал. D)

Порядок встановлення свердла або іншого приладдя:

- візьміться рукою за задню частину патрона (4а), а іншою обертайте передню частину патрона (4) проти годинникової стрілки, якщо дивитись з боку патрона;
- вставте свердло або інше приладдя і затягніть патрон, утримуючи задню частину патрона нерухомою та обертаючи його передню частину за годинниковою стрілкою, якщо дивитись з боку патрона, із зусиллям.

Увага! Не намагайтеся затягнути або послабити свердло (битку) шляхом тримання патрона і вмикання інструмента. Це може призвести до пошкодження патрона та травмування.

Два діапазони швидкості обертання (мал. F)

Цей перемикач дозволяє вибрати швидкість обертання для підвищення функціональності. Щоб вибрати низьку швидкість із високим крутним моментом, (положення 1), вимкніть інструмент і дочекайтеся його зупинки. Переведіть перемикач (5) в бік задньої частини інструмента. Щоб вибрати високу швидкість із низьким крутним моментом, (положення 2), вимкніть інструмент і дочекайтеся його зупинки. Переведіть перемикач в бік передньої частини інструмента.

Примітка: не перемикайте швидкості під час обертання інструменту. У разі виникнення проблем із перемиканням швидкостей переконайтеся, що перемикач встановлений у крайнє переднє або заднє положення.

Свердління/загвинчування шурупів

- Встановіть необхідний напрямок обертання за допомогою повзункового перемикача (2).
- Щоб ввімкнути інструмент, натисніть на вимикач (1). Швидкість обертання інструмента залежить від того, якою мірою ви натиснули (втопили) пусковий вимикач.
- Щоб вимкнути інструмент, відпустіть вимикач.

Поради щодо ефективного використання інструмента

Функція дрилі

- Використовуйте лише гострі свердла.
- Забезпечте належну підтримку та фіксацію робочої деталі, як це вказано в Правилах та вказівках з техніки безпеки.
- Використовуйте належне й необхідне захисне обладнання, як це вказано в Правилах та вказівках з техніки безпеки.
- Забезпечте належне обладнання місця виконання робіт, як це вказано в Правилах та вказівках з техніки безпеки.
- Починайте свердління з малих обертів та слабого натискання, доки отвір не буде розсвердлений достатньо, щоб свердло не вислозло з нього.
- Прикладайте зусилля вздовж осі обертання свердла. Застосовуйте достатній тиск для свердління, але не настільки, щоб двигун зупинився або свердло змістилося.
- Міцно утримуйте дріль обома руками, щоб контролювати її обертання.
- **НЕ НАМАГАЙТЕСЯ ЗВІЛЬНИТИ ЗАТИСНЕНЕ СВЕРДЛО ШЛЯХОМ ВИМИКАННЯ/ВИМИКАННЯ ДРИЛЮ!** Це може призвести до пошкодження дрилі!
- Щоб запобігти затисненню свердла наприкінці наскрізного свердління, зменшуйте тиск та швидкість перед виходом свердла з протилежної сторони отвору.
- Не зупиняйте свердло при витяганні його з просвердленого отвору. Це допоможе уникнути його затиснення.
- Переконайтеся, що вимикач вмикає і вимикає дріль.

Свердління деревини

Отвори в деревині можна робити спіральними свердлами для металу або перовими свердлами. Свердла мають бути гострими. Під час свердління свердло слід часто витягати, щоб усунути стружку.

Свердління металу

Використовуйте змащувально-охолоджувальну рідину при свердлінні металів. Виняток становлять чавун і латунь, які слід свердлити сухими. Рекомендується застосовувати сульфатовані змащувально-охолоджувальні рідини або мастила.

Закручування шурупів

- Завжди користуйтеся наконечниками відповідного розміру.
- Якщо шуруп закручується туго, спробуйте використовувати в якості мастила трохи промивної рідини або мила.
- Інструмент і наконечник завжди повинні знаходитися на одній осі з шурупом

Усунення несправностей

ПРОБЛЕМА	МОЖЛИВА ПРИЧИНА	МОЖЛИВЕ РІШЕННЯ
Інструмент не вмикається..	Акумуляторна батарея не заряджена.	Перевірити заряд акумуляторної батареї.
Акумуляторна батарея не заряджається.	Зарядний пристрій не підключений до джерела живлення. Температура навколишнього середовища занадто висока або занадто низька.	Вставте вилку в розетку, що має струм. Помістіть зарядний пристрій у середовище, де температура повітря складає від 40 °F (4,5°C) до 105 °F (+40,5°C).
Інструмент різко вмикається.	Акумуляторна батарея досягла граничної температури. Акумуляторна батарея розряджена. Акумуляторна батарея вмикається автоматично в разі розрядження задля максимального продовження терміну служби.	Дайте акумуляторній батареї вистигнути. Зарядіть акумуляторну батарею за допомогою зарядного пристрою.

Технічне обслуговування

Конструкція вашого інструменту BLACK+DECKER розрахована на роботу протягом тривалого періоду часу за мінімального технічного обслуговування. Тривала задовільна робота інструменту залежить від належного догляду та регулярного чищення. Крім періодичного чищення, ваш зарядний пристрій не вимагає інших операцій технічного обслуговування.



Увага! Перед виконанням будь-яких дій з технічного обслуговування інструменту, дістаньте з нього акумуляторну батарею. Перед проведенням чищення зарядного пристрою вийміть його штепсельну вилку з розетки.

- Регулярно очищуйте вентиляційні прорізи в інструменті і зарядному пристрої за допомогою м'якої щітки або сухої тканини.
- Необхідно регулярно очищувати корпус двигуна за допомогою вологої тканини. Забороняється використовувати для очищення абразивні матеріали та засоби очищення на основі розчинників.
- Регулярно розкривайте і вибивайте затиснений патрон для видалення пилю з його внутрішньої частини.

Важливо! Щоб гарантувати БЕЗПЕКУ та НАДІЙНІСТЬ інструмента, ремонт, обслуговування та регулювання (окрім описаних в цій інструкції) повинні виконувати авторизовані сервісні центри чи інші кваліфіковані організації. Для виконання цих робіт обов'язково слід використовувати ідентичні запасні частини. Виріб не містить деталей, призначених для обслуговування користувачем.

Акcesуари

Придбати акcesуари для цього інструменту можливо окремо у вашого місцевого дилера або в авторизованому сервісному центрі.



Увага! Використання будь-яких сторонніх акcesуарів на цьому інструменті не рекомендується, тому що це підвищує рівень небезпеки.

Акумуляторні батареї



Акумуляторні батареї BLACK+DECKER можна перезаряджати багато разів. Після завершення терміну служби виконайте

утилізацію акумуляторної батареї відповідно до екологічних норм:

- Коли акумуляторна батарея повністю виробить свій ресурс, дістаньте її з інструменту.
- NiCd, NiMH і літій-іонні акумуляторні батареї придатні для вторинної переробки. Відправте їх будь-якому уповноваженому представнику з ремонту або в місцевий центр з вторинної переробки.

Захист навколишнього середовища



Роздільний збір відходів. Забороняється утилізувати цей продукт разом зі звичайними побутовими відходами.

Якщо ви вирішите, що ваш виріб BLACK+DECKER необхідно замінити, або якщо ви не будете його більше використовувати, не утилізуйте його разом із побутовими відходами. Цей продукт підлягає роздільному збору відходів.



Роздільний збір використаних продуктів та пакувальних матеріалів дозволяє здійснювати їх вторинну переробку з подальшим повторним використанням.

Використання матеріалів, що пройшли вторинну переробку, знижує забруднення навколишнього середовища та зменшує потребу в сировинних матеріалах.

Нормативні акти місцевих органів влади можуть передбачати збір використаних електричних виробів окремо від побутових відходів, в муніципальних пунктах збору відходів або в магазині при покупці нового обладнання.

Компанія BLACK+DECKER надає можливість для збору та повторної переробки продуктів BLACK+DECKER після закінчення терміну їх служби. Щоб скористатися перевагою цього сервісу, будь ласка, надішліть ваш продукт будь-якому уповноваженому представнику з ремонту, який збирає такі вироби від нашого імені.

Ви можете дізнатися адресу нашого найближчого уповноваженого представника з ремонту, зателефонувавши в регіональне представництво BLACK+DECKER, вказане в цій інструкції. Крім того, список уповноважених представників з ремонту BLACK+DECKER, детальну інформацію про обслуговування після продажу та контактні дані можна знайти на сайті: www.2helpU.com.

Технічні характеристики

BDCHD12S1		
Напруга	V_{DC}	12
Швидкість холостого ходу	min^{-1}	0-350/ 0-1350 RPM
Макс. момент обертанн	N	17.5 / 40
свердла в патроні	mm	1 - 10
діаметр свердління		
Сталь/дерево/Masonry	mm	10/25/10
Вага	kg	0.79 (with battery1.04)

Акумуляторна батарея (входить в комплект)	
Напруга	12В
Ємність	1,5 А*год
Тип	літій-іонна



Гарантійні умови

Шановний покупець!

1. Вітаємо Вас з покупкою високоякісного виробу BLACK + DECKER і висловлюємо вдячність за Ваш вибір.
2. При покупці виробу вимагайте перевірки його комплектності і справності у Вашій присутності, інструкцію з експлуатації та заповнений гарантійний талон українською мовою

В гарантійному талоні повинні бути внесені: модель, дата продажу, серійний номер, дата виробництва інструменту; назва, печатка і підпис торгової організації. За відсутності у Вас правильно заповненого гарантійного талону, а також при невідповідності зазначених у ньому даних ми будемо змушені відхилити Ваші претензії щодо якості даного виробу.

3. Щоб уникнути непорозумінь, переконливо просимо Вас перед початком роботи з виробом уважно ознайомитися з інструкцією з його експлуатації. Правовою основою справжніх гарантійних умов є чинне Законодавство. Гарантійний термін на даний виріб складає 24 місяці і обчислюється з дня продажу. У разі усунення недоліків виробу, гарантійний строк продовжується на період його перебування в ремонті. Термін служби виробу становить 5 років з дня продажу.
4. У разі виникнення будь-яких проблем у процесі експлуатації виробу рекомендуємо Вам звертатися тільки в уповноважені сервісні центри BLACK + DECKER, адреси та телефони яких Ви зможете знайти в гарантійному талоні, на сайті www.2helpU.com або дізнатися в магазині. Наші сервісні станції - це не тільки кваліфікований ремонт, але і широкий асортимент запчастин і аксесуарів.
5. Виробник рекомендує проводити періодичну перевірку і технічне обслуговування виробу в уповноважених сервісних центрах.
6. Наші гарантійні зобов'язання поширюються тільки на несправності, виявлені протягом гарантійного терміну і викликані дефектами виробництва та \ або матеріалів.
7. Гарантійні умови не поширюються на несправності виробу, що виникли в результаті:
 - 7.1 Недотримання користувачем приписів інструкції з експлуатації виробу, застосування виробу не за призначенням, неправильного зберігання, використання приладдя, витратних матеріалів і запчастин, що не передбачені виробником.

- 7.2 Механічного пошкодження (відколи, тріщини і руйнування) внутрішніх і зовнішніх деталей виробу, основних і допоміжних рукояток, мережевого кабелю, що викликані зовнішнім ударним або будь-яким іншим впливом
- 7.3 Потраплення у вентиляційні отвори та проникнення всередину виробу сторонніх предметів, матеріалів або речовин, що не є відходами, які супроводжують застосування виробу за призначенням, такими як: стружка, тирса, пісок, та ін.
- 7.4 Впливу на виріб несприятливих атмосферних і інших зовнішніх факторів, таких як дощ, сніг, підвищена вологість, нагрівання, агресивні середовища, невідповідність параметрів електромережі, що зазначені на інструменті.
- 7.5 Стихійного лиха. Пошкодження або втрати виробу, що пов'язані з непередбаченими лихами, стихійними явищами, у тому числі внаслідок дії непереборної сили (пожежа, блискавка, потоп і інші природні явища), а також внаслідок перепадів напруги в електромережі та іншими причинами, які знаходяться поза контролем виробника.
8. Гарантійні умови не поширюються:
 - 8.1. На інструменти, що піддавались розкриттю, ремонту або модифікації поза уповноваженим сервісним центром.
 - 8.2. На деталі, вузли та матеріали, що мають сліди природного зносу, такі як: приводні ремені і колеса, вугільні щітки, мастило, підшипники, зубчасті зчеплення редукторів, гумові ущільнення, сальники, направляючі ролики, муфти, вижимачі, бойки, штовхачі, стволи тощо
 - 8.3. На змінні частини: патрони, цанги, затискні гайки і фланці, фільтри, акумуляторні батареї, ножі, шліфувальні підшови, ланцюги, зірочки, пильні шини, захисні кожухи, пилки, абразиви, пильні і абразивні диски, фрези, свердла, бури тощо
 - 8.4. На несправності, що виникли в результаті переважання інструменту (як механічного, так і електричного), що спричинили вихід з ладу одночасно двох і більше деталей і вузлів, таких як: ротора і статора, обох обмоток статора, веденої і ведучої шестерень редуктора або інших вузлів і деталей. До безумовних ознак переважання виробу відносяться, крім інших: поява кольорів мінливості, деформація або оплавлення деталей і вузлів виробу, потемніння або обвуглювання ізоляції проводів електродвигуна під впливом високої температури.



060

Виробник:
"Stanley BLACK+DECKER Deutschland GmbH" Black-&-Decker Str.40, D-655 10 Idstein, Німеччина

