

HDK 165 2014 UP

Technical Sheet

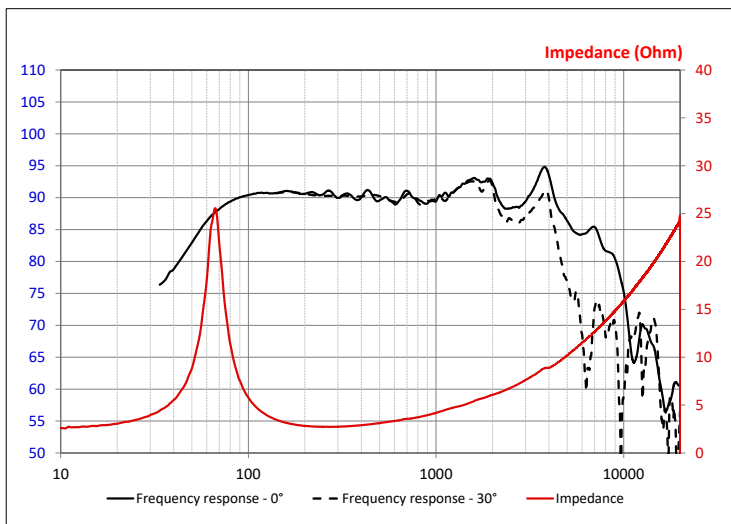
Woofer



SPECIFICATIONS

Nominal power	125 W
Maximum power	250 W
Sensitivity	92.5 dB
Nom. impedance	2 Ω
Cone	Aramid Fiber
Surround	TMD - Butyl
DC resistance	2 Ω
VC diameter	32 mm 1¼"
Former	Kapton
Layers	2
Wire	CCA W
Net weight	1350g 2.97lbs

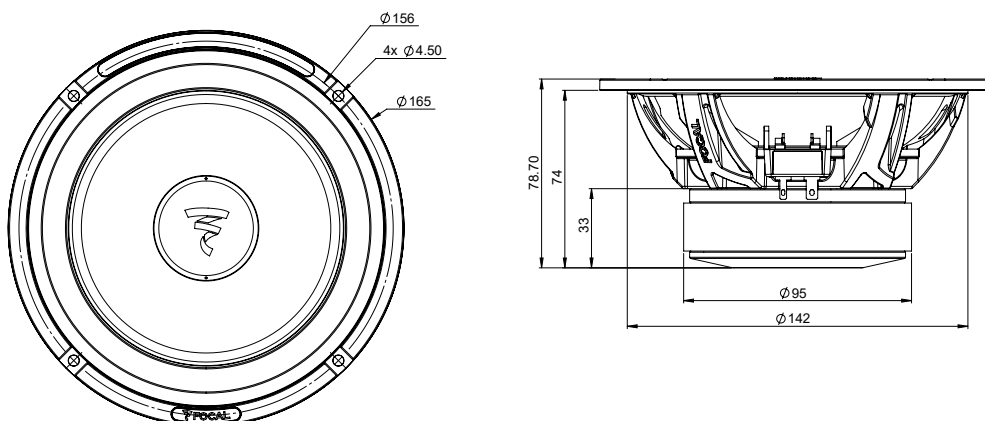
FREQUENCY RESPONSE/IMPEDANCE



PARAMETERS

Rdc	2 Ω
Fs	55 Hz
Mms	15 g
Cms	0.5 mm/N
Vas	813 l
Qts	0.55
Qes	0.58
Qms	7
Bxl	4.3 N/A
Sd	128.7 cm
SPL	92.5 dB
Xmax	5 mm

MECHANICAL DRAWING



FOCAL® INSIDE

Focal® is a trademark of Focal-JMLab® - www.focal.com - SCAA190930/1

FOCAL®
LISTEN BEYOND

HDK 165 2014 UP

Technical Sheet

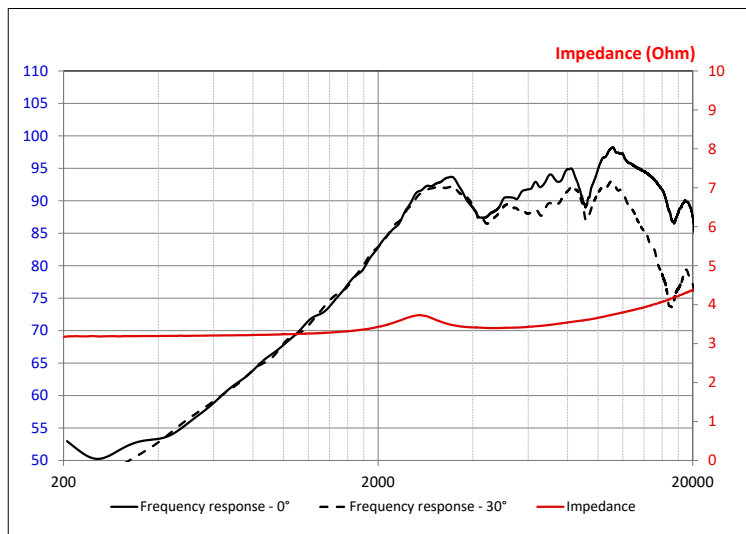
Tweeter



SPECIFICATIONS

Nominal power	20 W
Maximum power	200 W
Sensitivity	95 dB
Nom. impedance	4 Ω
Cone	Kevlar
Surround	Poron
DC resistance	3.5 Ω
VC diameter	20 mm 1"
Former	Kapton
Layers	2
Wire	Alu
Net weight	60 g 0.13lb

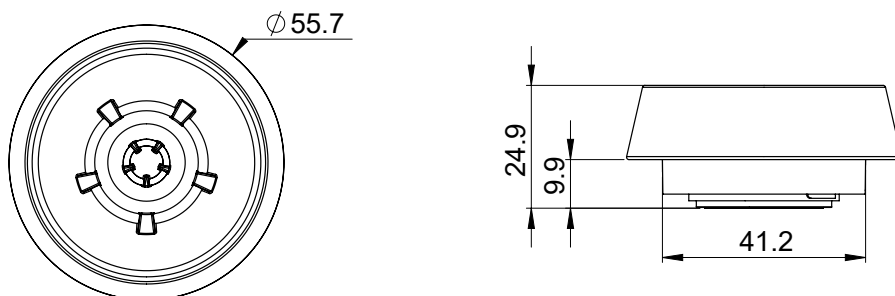
FREQUENCY RESPONSE/IMPEDANCE



PARAMETERS

Rdc	3.5 Ω
Fs	2200 Hz

MECHANICAL DRAWING



FOCAL® INSIDE

Focal® is a trademark of Focal-JMLab® - www.focal.com - SCAA190930/1

FOCAL®
LISTEN BEYOND