

FAQ

Frequently asked questions

<http://www.trust.com/20341/faq>

EN: Battery inside. Use and transport it in an upward position.
 DE: Akku im Inneren. In aufrechter Position bei Nutzung und Transport.
 IT : Batteria all'interno. Usare e trasportare in posizione verticale.
 ES: Baterías en el interior. Utilizar y transportar en posición vertical.
 FR: Batterie à l'intérieur. Utiliser et transporter en position vertical.
 NL: Batterij binnenin. Naar boven toe richten bij gebruik en vervoer.

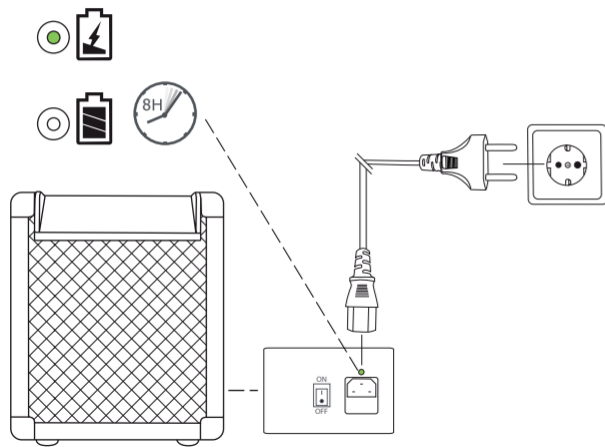
Trust International BV, Laan van Barcelona 600 3317DD, Dordrecht (NL)
 © 06-11-2014 Trust International B.V. All rights reserved.

Trust URBAN

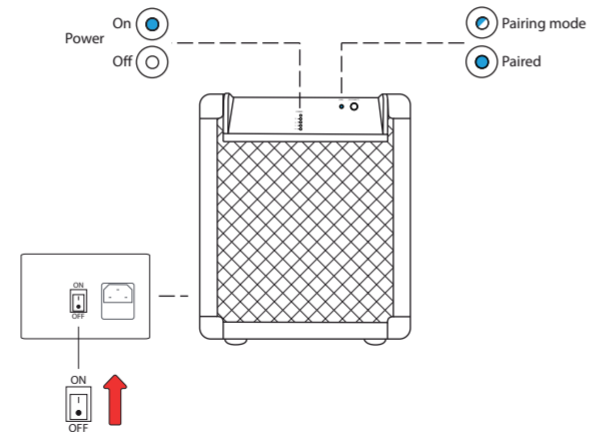
Quick Installation Guide

Fiësta Pro - wireless speaker

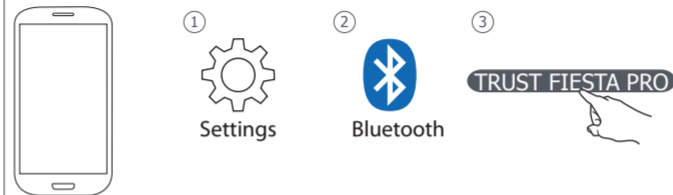
Charging



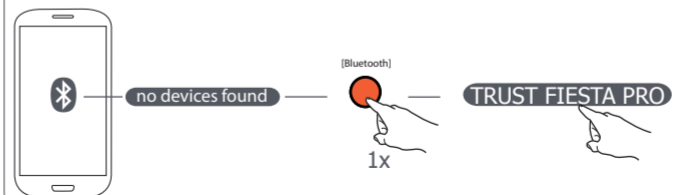
Wireless - setup 1/2



Wireless - Step 2



Wireless - Troubleshooting



Wireless - play music

